

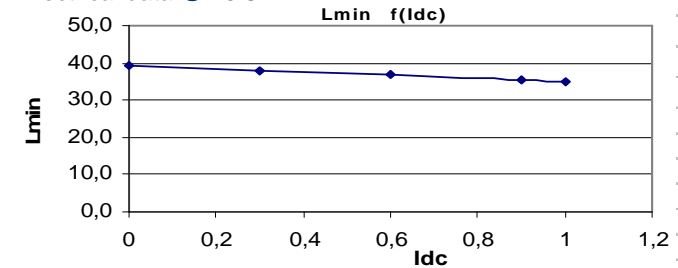
Resistance = 120mΩ max

Frequency kHz	Ripple Current	10%ΔI	20%ΔI	30%ΔI
25	Total losses mW	30	30	30
	ΔT°C	6	6	6
50	Total losses mW	30	30	30
	ΔT°C	6	6	6
75	Total losses mW	30	30	30
	ΔT°C	6	6	6
100	Total losses mW	30	30	40
	ΔT°C	6	6	6

**L f(Idc) Inductance Values**

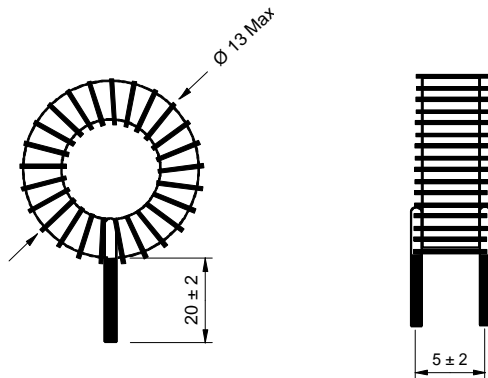
Idc (A)	Lmin (μH)
0	39,2
0,3	38,1
0,6	36,9
0,9	35,2
1	35

Electrical data @ 25°C

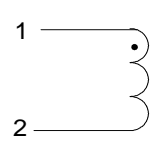


**PN : 77204SNV**

Mechanical dimensions



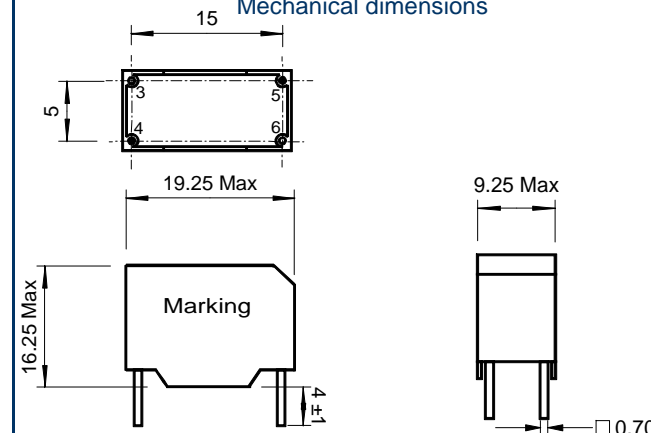
Schematic



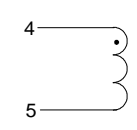
Inductance 1-2  
Implantation in holes : 0.6 mm

**PN : 77204BV**

Mechanical dimensions



Schematic



Inductance 4-5  
Blind pins 3-6  
Implantation in holes : 1,3 mm