

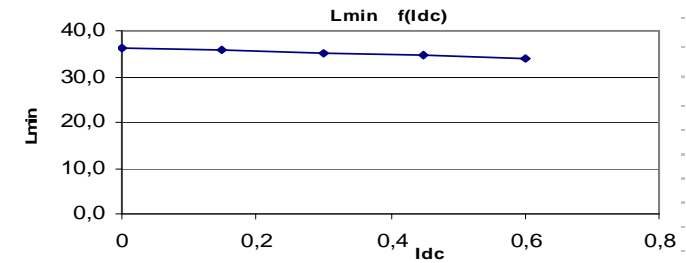
Resistance = 350mΩ max

| Frequency kHz | Ripple Current  | 10%ΔI | 20%ΔI | 30%ΔI |
|---------------|-----------------|-------|-------|-------|
| 25            | Total losses mW | 20    | 20    | 20    |
|               | ΔT°C            | 3     | 3     | 3     |
| 50            | Total losses mW | 20    | 20    | 20    |
|               | ΔT°C            | 3     | 3     | 3     |
| 75            | Total losses mW | 20    | 20    | 20    |
|               | ΔT°C            | 3     | 3     | 4     |
| 100           | Total losses mW | 20    | 20    | 20    |
|               | ΔT°C            | 3     | 3     | 4     |

**L f(Idc) Inductance Values**

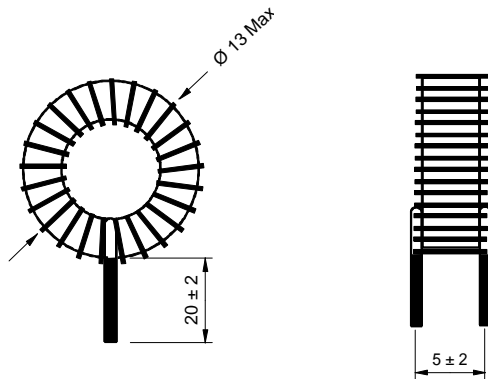
| Idc (A) | Lmin (μH) |
|---------|-----------|
| 0       | 36,3      |
| 0,15    | 35,8      |
| 0,3     | 35,2      |
| 0,45    | 34,8      |
| 0,6     | 34,1      |

Electrical data @ 25°C

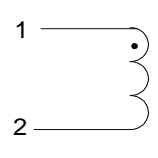


**PN : 77202SNV**

Mechanical dimensions



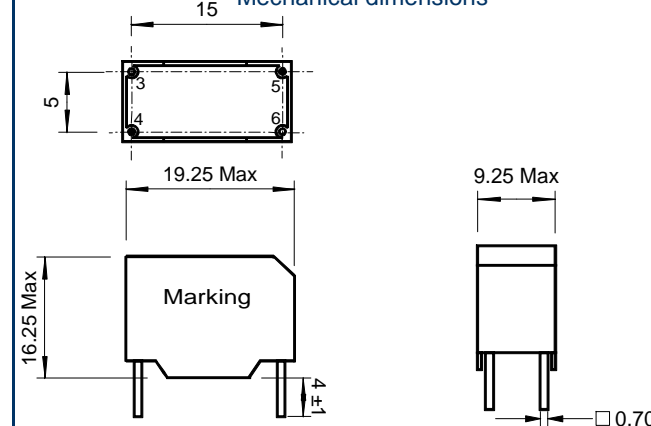
Schematic



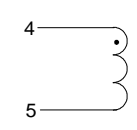
Inductance 1-2  
Implantation in holes : 0.5 mm

**PN : 77202BV**

Mechanical dimensions



Schematic



Inductance 4-5  
Blind pins 3-6  
Implantation in holes : 1,3 mm