

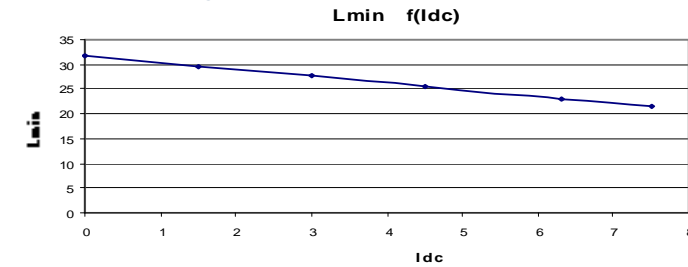
Resistance = 20mΩ max

Frequency kHz	Ripple Current	10%ΔI	20%ΔI	30%ΔI
25	Total losses mW	430	450	510
	ΔT°C	15	16	17
50	Total losses mW	430	500	640
	ΔT°C	15	17	21
75	Total losses mW	440	550	800
	ΔT°C	15	18	25
100	Total losses mW	450	610	980
	ΔT°C	16	20	30

**L f(Idc) Inductance Values**

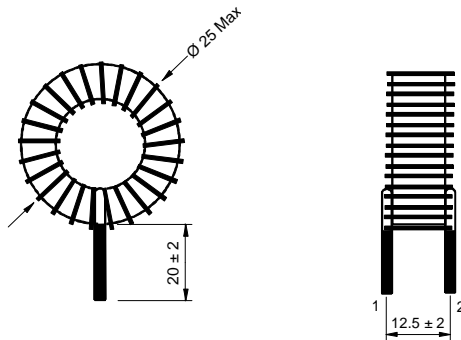
Idc (A)	Lmin (μH)
0	32
1,5	30
3	28
4,5	26
6,3	23
7,5	21

Electrical data @ 25°C

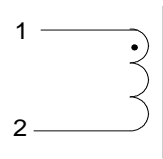


**PN : 77164SNV**

Mechanical dimensions



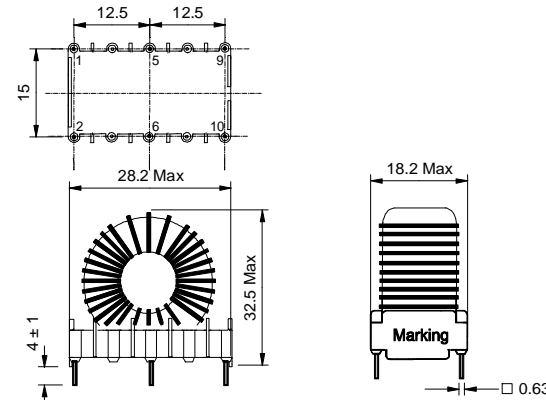
Schematic



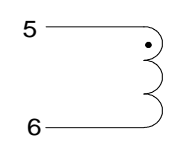
Inductance 1-2  
Implantation in holes : 1.4 mm

**PN : 77164EE**

Mechanical dimensions



Schematic



Inductance 5-6  
Blind pins 1-2-9-10  
5-6 Implantation in holes : 1,4 mm  
1-2-5-9 Implantation in holes : 1,2 mm

[See Version BV](#)

[See Version BH](#)