

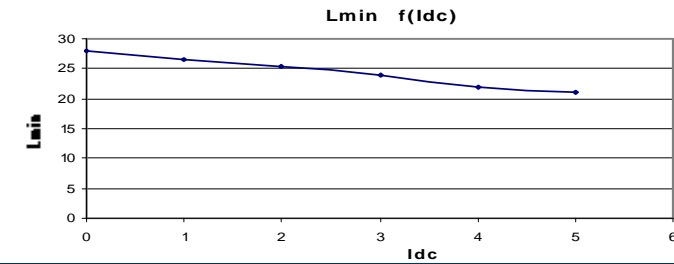
Resistance = 15 m Ω max

Frequency kHz	Ripple Current	10% Δ I	20% Δ I	30% Δ I
25	Total losses mW	230	240	270
	Δ T $^{\circ}$ C	11	12	13
50	Total losses mW	240	260	320
	Δ T $^{\circ}$ C	11	13	15
75	Total losses mW	240	280	390
	Δ T $^{\circ}$ C	12	13	17
100	Total losses mW	240	310	460
	Δ T $^{\circ}$ C	12	14	20

L f(I_{dc}) Inductance Values

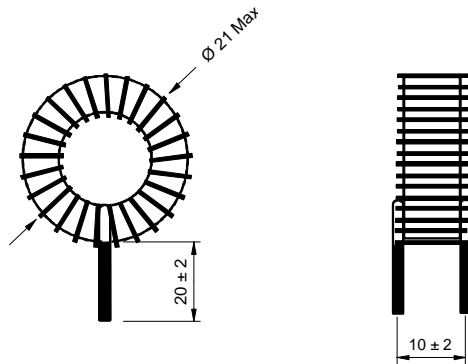
I _{dc} (A)	L _{min} (μ H)
0	28
1	27
2	25
3	24
4	22
5	21

Electrical data @ 25 $^{\circ}$ C

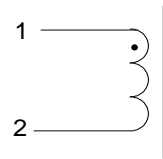


PN : 77162SNV

Mechanical dimensions



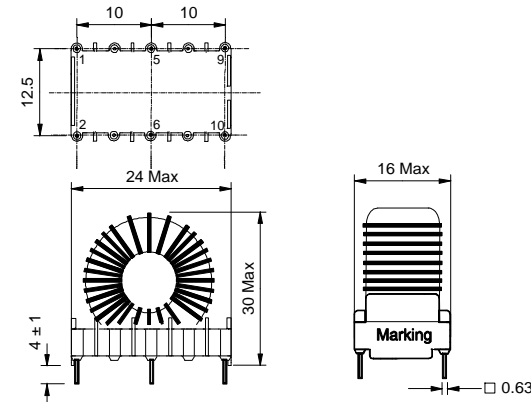
Schematic



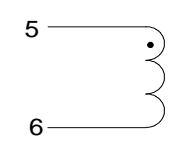
Inductance 1-2
Implantation in holes : 1.2 mm

PN : 77162EE

Mechanical dimensions



Schematic



Inductance 5-6
Blind pins 1-2-9-10
Implantation in holes : 1.2 mm

[See Version BV](#)

[See Version BH](#)