

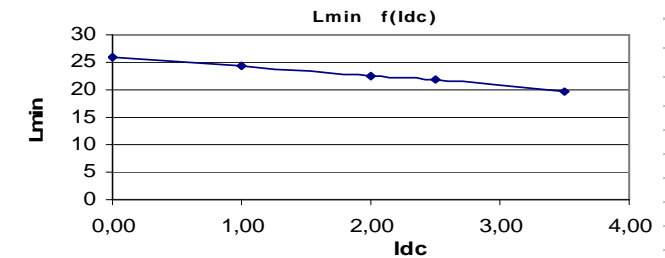
Resistance = 30m Ω max

Frequency kHz	Ripple Current	10% Δ I	20% Δ I	30% Δ I
25	Total losses mW	160	170	170
	Δ T $^{\circ}$ C	13	13	14
50	Total losses mW	160	170	200
	Δ T $^{\circ}$ C	13	14	15
75	Total losses mW	160	180	220
	Δ T $^{\circ}$ C	13	14	17
100	Total losses mW	170	190	250
	Δ T $^{\circ}$ C	13	15	19

Electrical data @ 25 $^{\circ}$ C

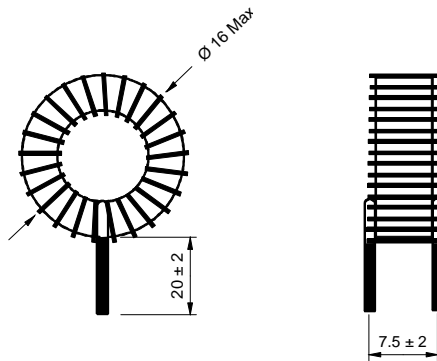
L f(I_{dc}) Inductance Values

I _{dc} (A)	L _{min} (μ H)
0	26
1	24
2	22
2,5	22
3,5	20

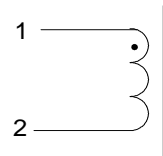


PN : 77160SNV

Mechanical dimensions



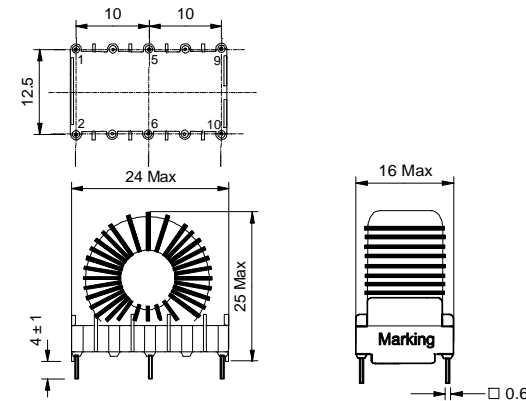
Schematic



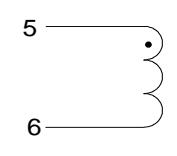
Inductance 1-2
Implantation in holes : 0.9 mm

PN : 77160EE

Mechanical dimensions



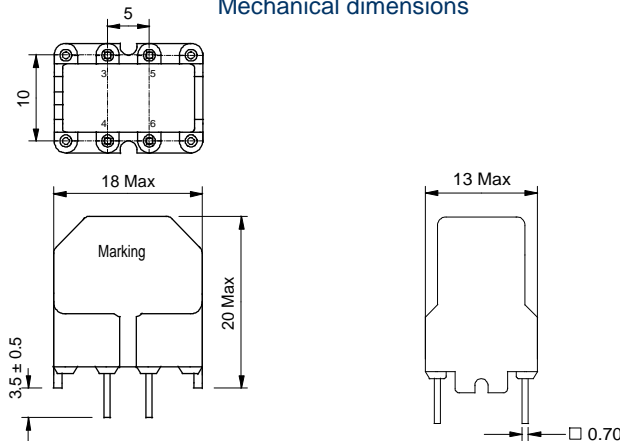
Schematic



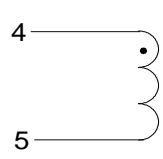
Inductance 5-6
Blind pins 1-2-9-10
Implantation in holes : 1,2 mm

PN : 77160BV

Mechanical dimensions



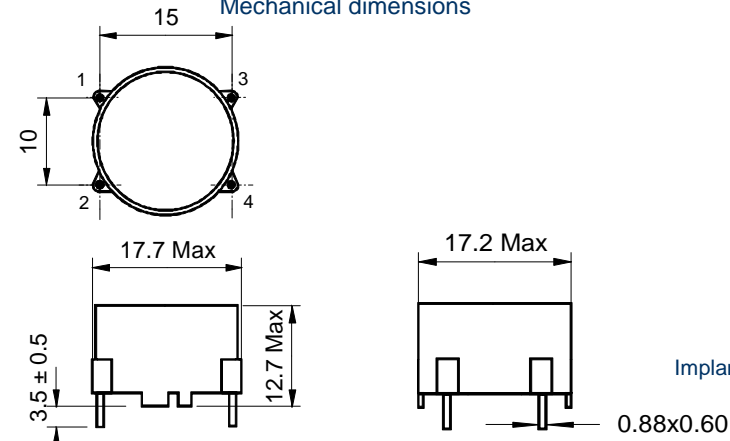
Schematic



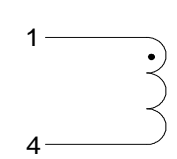
Inductance 4-5
Blind pins 3-6
Implantation in holes : 1,3 mm

PN : 77160BH

Mechanical dimensions



Schematic



Inductance 1-4
Blind pins 2-3
Implantation in holes : 1,3 mm