

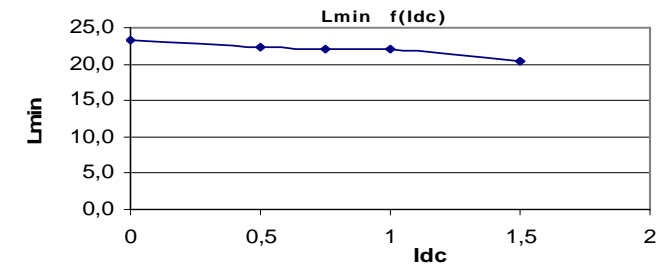
Resistance = 50mΩ max

Frequency kHz	Ripple Current	10%ΔI	20%ΔI	30%ΔI
25	Total losses mW	40	40	40
	ΔT°C	7	7	7
50	Total losses mW	40	40	40
	ΔT°C	7	7	7
75	Total losses mW	40	40	50
	ΔT°C	7	7	8
100	Total losses mW	40	40	50
	ΔT°C	7	7	8

L f(Idc) Inductance Values

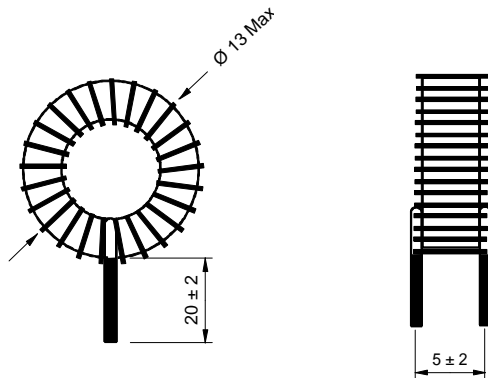
Idc (A)	Lmin (μH)
0	23,2
0,5	22,4
0,75	22,1
1	22
1,5	20,5

Electrical data @ 25°C

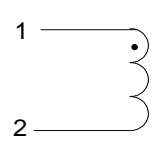


PN : 77156SNV

Mechanical dimensions



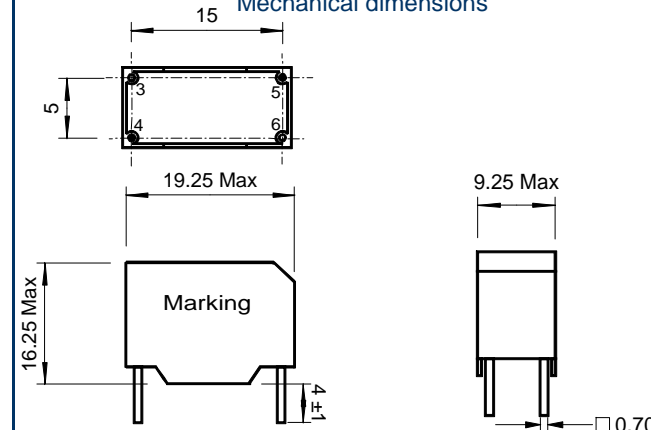
Schematic



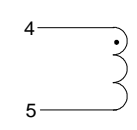
Inductance 1-2
Implantation in holes : 0.7 mm

PN : 77156BV

Mechanical dimensions



Schematic



Inductance 4-5
Blind pins 3-6
Implantation in holes : 1,3 mm