

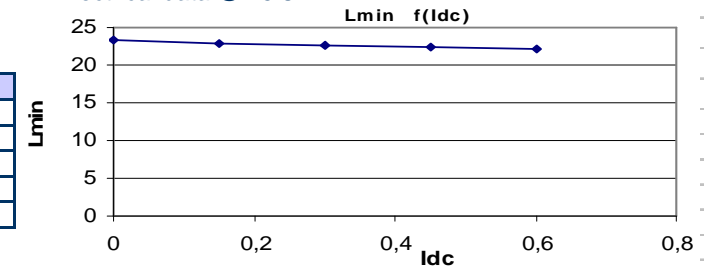
Resistance = 280mΩ max

Frequency kHz	Ripple Current	10%ΔI	20%ΔI	30%ΔI
		0,03	0,06	0,09
25	Total losses mW	10	10	10
	ΔT°C	3	3	3
50	Total losses mW	10	10	10
	ΔT°C	3	3	3
75	Total losses mW	10	10	10
	ΔT°C	3	3	3
100	Total losses mW	10	10	10
	ΔT°C	3	3	3

**L f(Idc) Inductance Values**

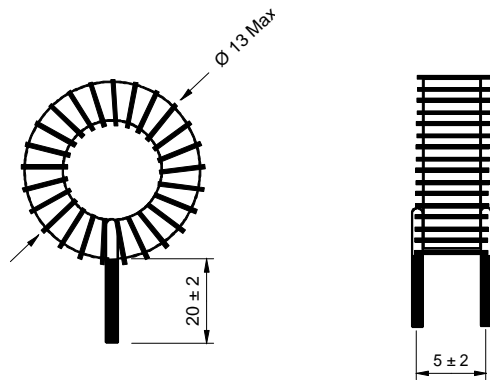
Idc (A)	Lmin (μH)
0	23
0,15	23
0,3	23
0,45	22
0,6	22

Electrical data @ 25°C

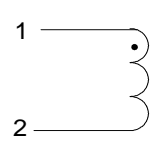


**TPE P/N : 77152SNV**

Mechanical dimensions



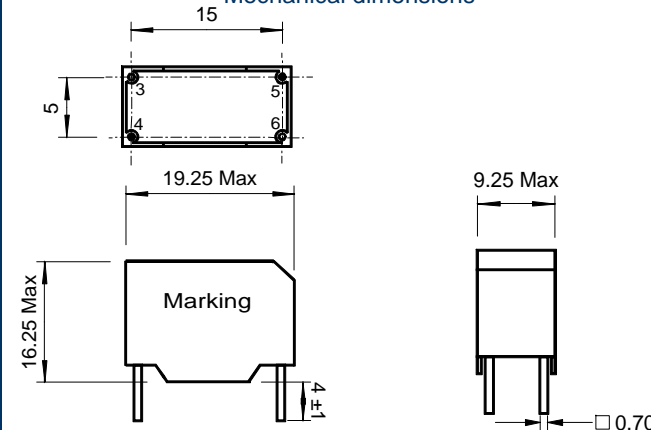
Schematic



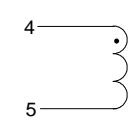
Inductance 1-2  
Implantation in holes : 0.5 mm

**TPE P/N : 77152BV**

Mechanical dimensions



Schematic



Inductance 4-5  
Blind pins 3-6  
Implantation in holes : 1,3 mm