

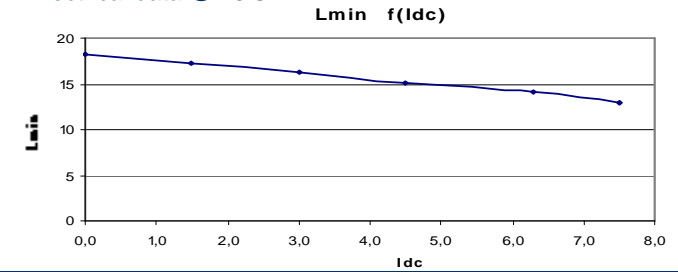
Resistance = 10 m Ω max

Frequency kHz	Ripple Current	10% Δ I	20% Δ I	30% Δ I
25	Total losses mW	290	310	350
	Δ T $^{\circ}$ C	14	15	16
50	Total losses mW	300	350	450
	Δ T $^{\circ}$ C	14	16	20
75	Total losses mW	310	390	560
	Δ T $^{\circ}$ C	15	18	24
100	Total losses mW	310	430	690
	Δ T $^{\circ}$ C	15	19	29

L f(Idc) Inductance Values

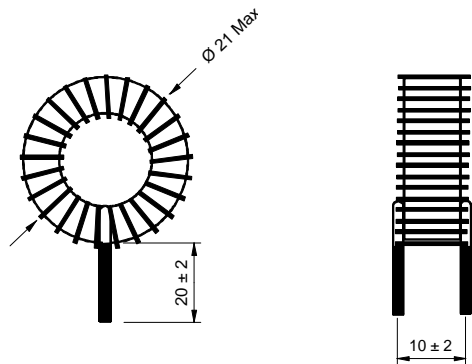
Idc (A)	Lmin (μ H)
0	18
1,5	17
3	16
4,5	15
6,3	14
7,5	13

Electrical data @ 25 $^{\circ}$ C

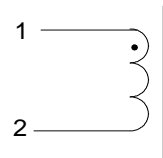


PN : 77114SNV

Mechanical dimensions



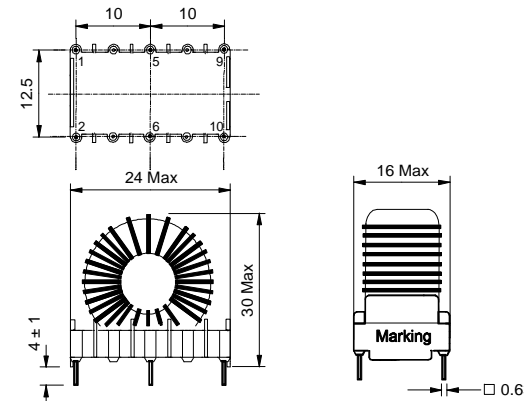
Schematic



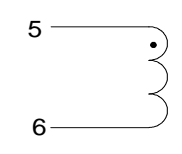
Inductance 1-2
Implantation in holes : 1.4 mm

PN : 77114EE

Mechanical dimensions



Schematic



Inductance 5-6
Blind pins 1-2-9-10
5-6 Implantation in holes : 1,4 mm
1-2-9-10 Implantation in holes : 1,2 mm

[See Version BV](#)

[See Version BH](#)