

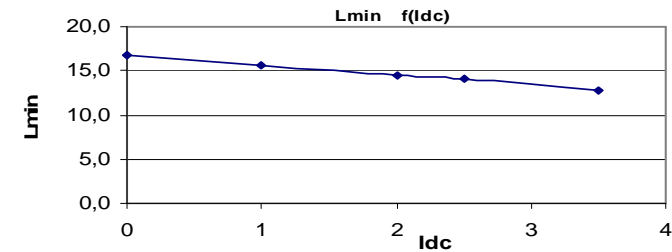
Resistance = 20mΩ max

| Frequency kHz | Ripple Current | 10%ΔI | 20%ΔI | 30%ΔI |
|---------------|-----------------|-------|-------|-------|
| 25 | Total losses mW | 90 | 90 | 100 |
| | ΔT°C | 13 | 13 | 14 |
| 50 | Total losses mW | 90 | 100 | 110 |
| | ΔT°C | 13 | 14 | 15 |
| 75 | Total losses mW | 90 | 100 | 130 |
| | ΔT°C | 13 | 14 | 17 |
| 100 | Total losses mW | 90 | 110 | 150 |
| | ΔT°C | 13 | 15 | 19 |

L f(Idc) Inductance Values

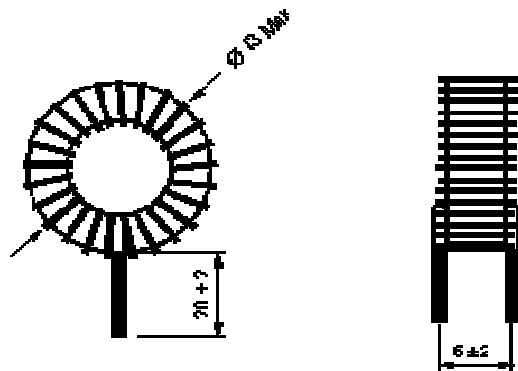
| Idc (A) | Lmin (μH) |
|---------|-----------|
| 0 | 16,8 |
| 1 | 15,7 |
| 2 | 14,5 |
| 2,5 | 14,1 |
| 3,5 | 12,8 |

Electrical data @ 25°C

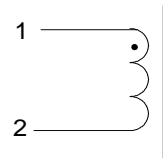


PN : 77110SNV

Mechanical dimensions



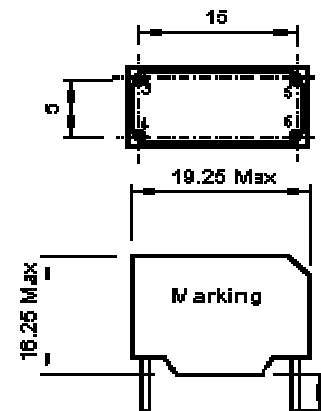
Schematic



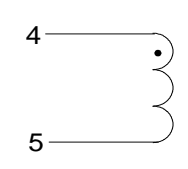
Inductance 1-2
Implantation in holes : 0.9 mm

PN : 77110BV

Mechanical dimensions



Schematic



Inductance 4-5
Blind pins 3-6
Implantation in holes : 1,3 mm