

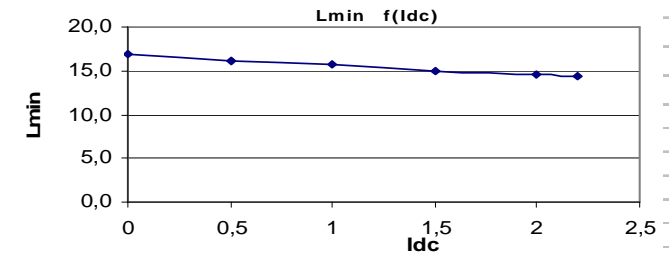
Resistance = 30mΩ max

Frequency kHz	Ripple Current	10%ΔI	20%ΔI	30%ΔI
25	Total losses mW	60	60	60
	ΔT°C	9	9	9
50	Total losses mW	60	60	70
	ΔT°C	9	9	10
75	Total losses mW	60	60	70
	ΔT°C	9	9	10
100	Total losses mW	60	70	80
	ΔT°C	9	10	11

L f(Idc) Inductance Values

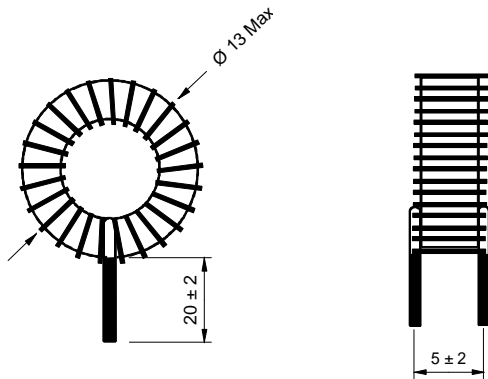
Idc (A)	Lmin (μH)
0	16,8
0,5	16,2
1	15,7
1,5	15
2	14,5
2,2	14,3

Electrical data @ 25°C

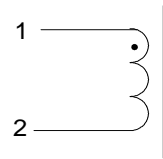


PN : 77108SNV

Mechanical dimensions



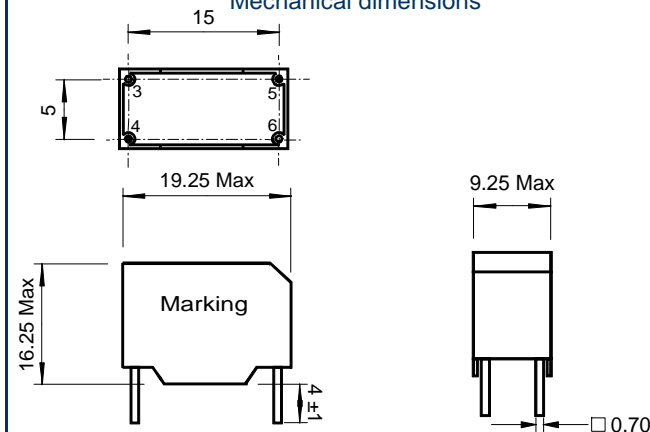
Schematic



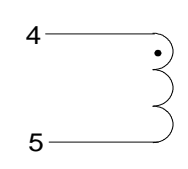
Inductance 1-2
Implantation in holes : 0.8 mm

PN : 77108BV

Mechanical dimensions



Schematic



Inductance 4-5
Blind pins 3-6
Implantation in holes : 1,3 mm