

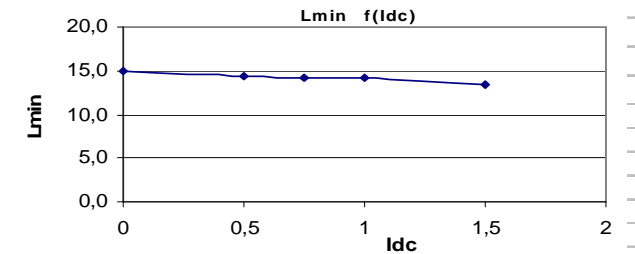
Resistance = 40m Ω max

Frequency kHz	Ripple Current	10% Δ I	20% Δ I	30% Δ I
25	Total losses mW	30	30	30
	$\Delta T^{\circ}C$	6	6	6
50	Total losses mW	30	30	30
	$\Delta T^{\circ}C$	6	6	6
75	Total losses mW	30	30	30
	$\Delta T^{\circ}C$	6	6	6
100	Total losses mW	30	30	40
	$\Delta T^{\circ}C$	6	6	6

Electrical data @ 25 $^{\circ}C$

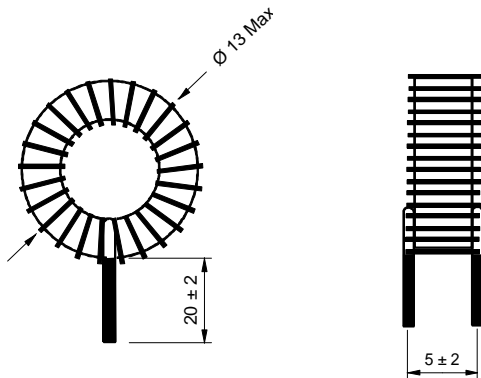
L f(I_{dc}) Inductance Values

I _{dc} (A)	L _{min} (μ H)
0	14,9
0,5	14,4
0,75	14,2
1	14,1
1,5	13,5

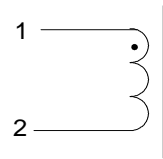


PN : 77106SNV

Mechanical dimensions



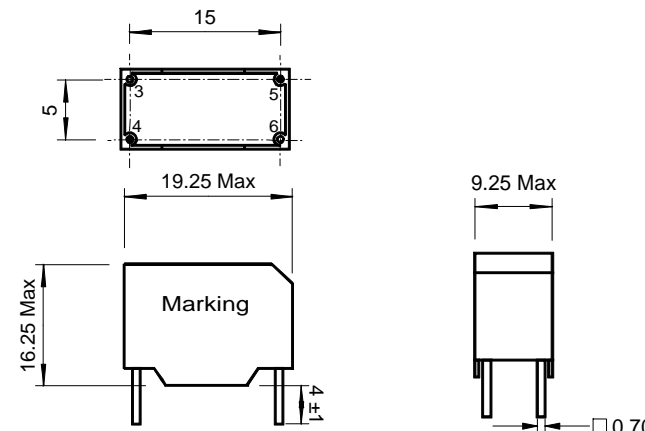
Schematic



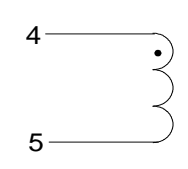
Inductance 1-2
Implantation in holes : 0.7 mm

PN : 77106BV

Mechanical dimensions



Schematic



Inductance 4-5
Blind pins 3-6
Implantation in holes : 1,3 mm