

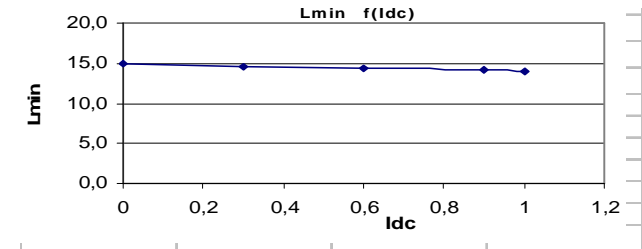
Resistance = 70mΩ max

Frequency kHz	Ripple Current	10%ΔI	20%ΔI	30%ΔI
25	Total losses mW	20	20	20
	ΔT°C	4	4	4
50	Total losses mW	20	20	20
	ΔT°C	4	4	4
75	Total losses mW	20	20	20
	ΔT°C	4	4	4
100	Total losses mW	20	20	20
	ΔT°C	4	4	4

Electrical data @ 25°C

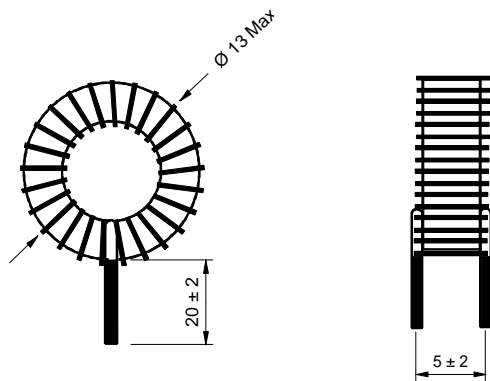
**L f(I<sub>dc</sub>) Inductance Values**

I <sub>dc</sub> (A)	L <sub>min</sub> (μH)
0	14,9
0,3	14,6
0,6	14,3
0,9	14,1
1	13,9

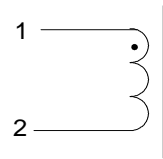


**PN : 77104SNV**

Mechanical dimensions



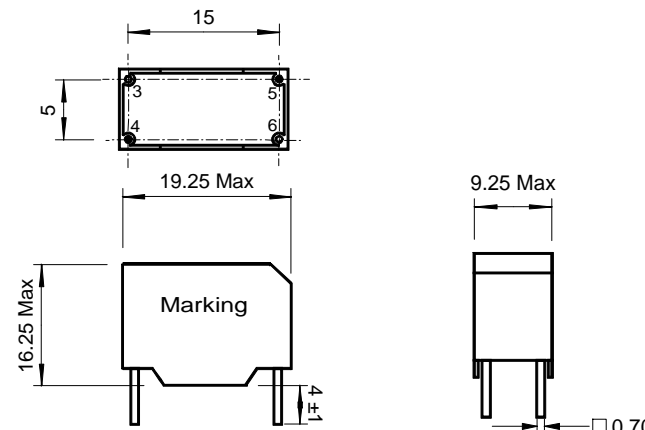
Schematic



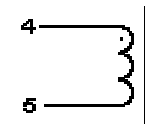
Inductance 1-2  
Implantation in holes : 0.6 mm

**PN : 77104BV**

Mechanical dimensions



Schematic



Inductance 4-5  
Blind pins 3-6  
Implantation in holes : 1,3 mm