

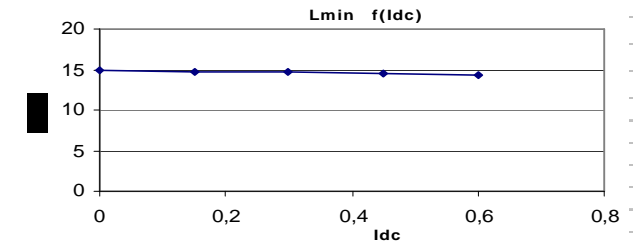
Resistance = 160mΩ max

Frequency kHz	Ripple Current	10%ΔI	20%ΔI	30%ΔI
25	Total losses mW	10	10	10
	ΔT°C	2	2	2
50	Total losses mW	10	10	10
	ΔT°C	2	2	2
75	Total losses mW	10	10	10
	ΔT°C	2	2	2
100	Total losses mW	10	10	10
	ΔT°C	2	2	2

Electrical data @ 25°C

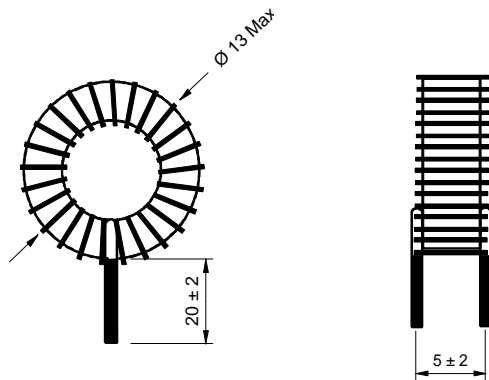
**L f(Idc) Inductance Values**

Idc (A)	Lmin (μH)
0	15
0,15	15
0,3	15
0,45	14
0,6	14

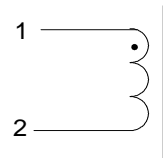


**PN : 77102SNV**

Mechanical dimensions



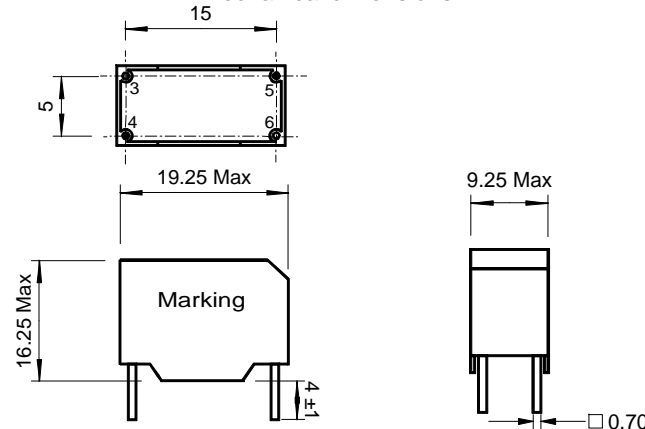
Schematic



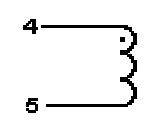
Inductance 1-2  
Implantation in holes : 0.5 mm

**PN : 77102BV**

Mechanical dimensions



Schematic



Inductance 4-5  
Blind pins 3-6  
Implantation in holes : 1,3 mm