

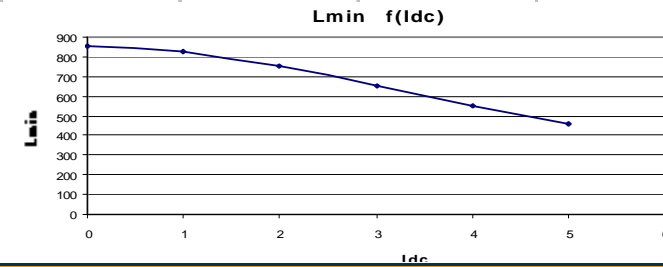
Resistance = 180mΩ max

Frequency kHz	Ripple Current	10%ΔI	20%ΔI	30%ΔI
25	Total losses mW	2310	2330	2360
	ΔT°C	28	28	28
50	Total losses mW	2320	2370	2450
	ΔT°C	28	28	29
75	Total losses mW	2330	2410	2560
	ΔT°C	28	29	30
100	Total losses mW	2340	2460	2680
	ΔT°C	28	29	31

**L f(Idc) Inductance Values**

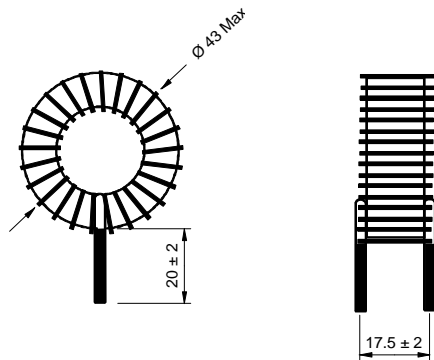
Idc (A)	Lmin (μH)
0	852
1	829
2	755
3	656
4	54
5	455

Electrical data @ 25°C

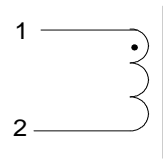


**PN : 55512SNV**

Mechanical dimensions



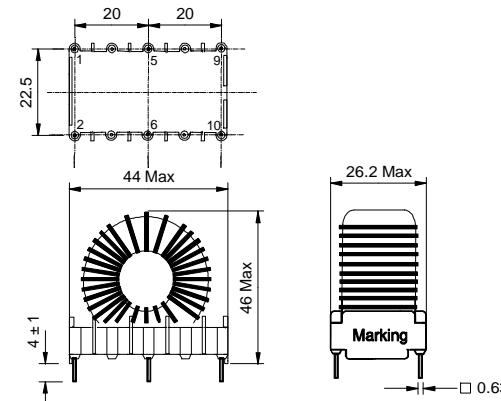
Schematic



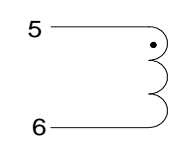
Inductance 1-2  
Implantation in holes : mm

**PN : 55512EE**

Mechanical dimensions



Schematic



Inductance 5-6  
Blind pins 1-2-9-10  
5-6 Implantation in holes : 1,2 mm

[See Version BV](#)

[See Version BH](#)