

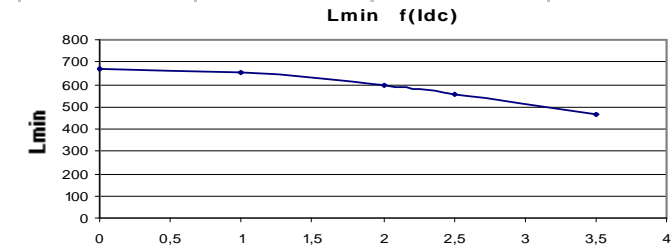
Resistance = 290mΩ max

| Frequency kHz | Ripple Current | 10%ΔI | 20%ΔI | 30%ΔI |
|---------------|-----------------|-------|-------|-------|
| 25 | Total losses mW | 1470 | 1480 | 1490 |
| | ΔT°C | 24 | 24 | 25 |
| 50 | Total losses mW | 1480 | 1500 | 1530 |
| | ΔT°C | 24 | 25 | 25 |
| 75 | Total losses mW | 1480 | 1520 | 1580 |
| | ΔT°C | 24 | 25 | 26 |
| 100 | Total losses mW | 1480 | 1540 | 1640 |
| | ΔT°C | 24 | 25 | 27 |

Electrical data @ 25°C

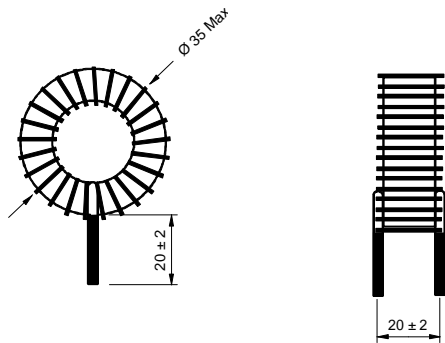
L f(Idc) Inductance Values

| Idc (A) | Lmin (µH) |
|---------|-----------|
| 0 | 673 |
| 1 | 653 |
| 2 | 592 |
| 2,5 | 554 |
| 3,5 | 469 |

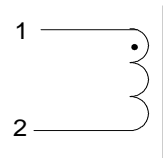


PN : 55510SNV

Mechanical dimensions



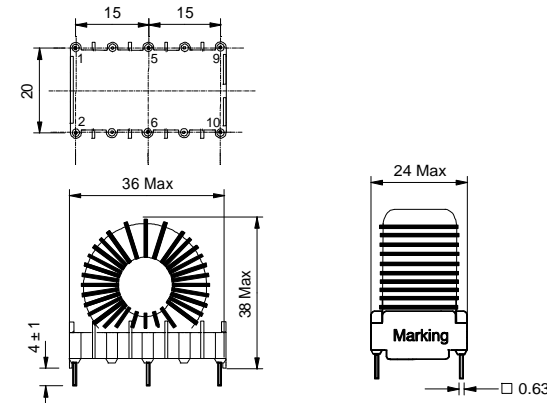
Schematic



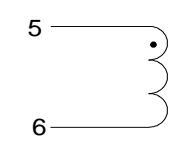
Inductance 1-2
Implantation in holes : 0,9 mm

PN : 55510EE

Mechanical dimensions



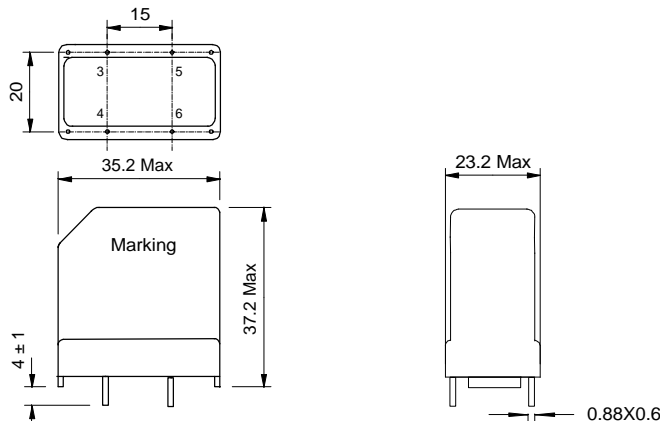
Schematic



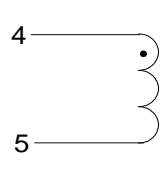
Inductance 5-6
Blind pins 1-2-9-10
Implantation in holes : 1,2 mm

PN : 55510BV

Mechanical dimensions



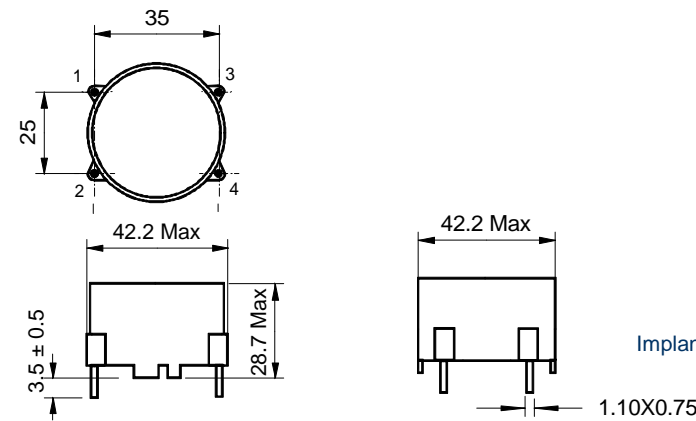
Schematic



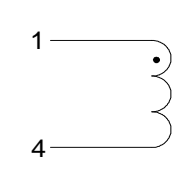
Inductance 4-5
Blind pins 3-6
Implantation in holes : 1,3 mm

PN : 55510BH

Mechanical dimensions



Schematic



Inductance 1-4
Blind pins 2-3
Implantation in holes : 1,5 mm