

Resistance = 450mΩ max

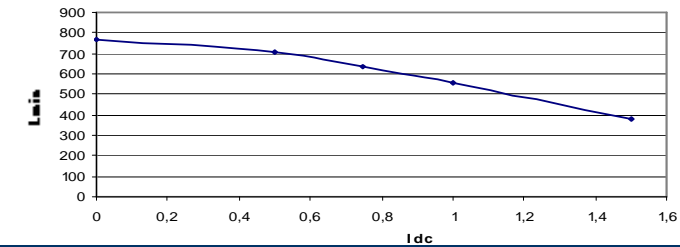
Frequency kHz	Ripple Current	10%ΔI	20%ΔI	30%ΔI
25	Total losses mW	370	380	380
	ΔT°C	17	17	18
	Total losses mW	370	380	400
50	ΔT°C	17	18	18
	Total losses mW	370	390	430
	ΔT°C	17	18	19
75	Total losses mW	380	400	460
	ΔT°C	17	18	20

Electrical data @ 25°C

L f(Idc) Inductance Values

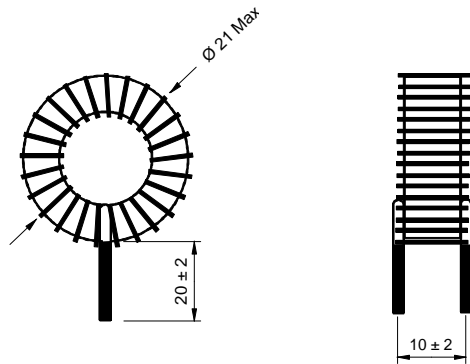
Idc (A)	Lmin (μH)
0	766
0,5	706
0,75	639
1	554
1,5	382

Lmin f(Idc)

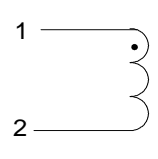


PN : 55506SNV

Mechanical dimensions



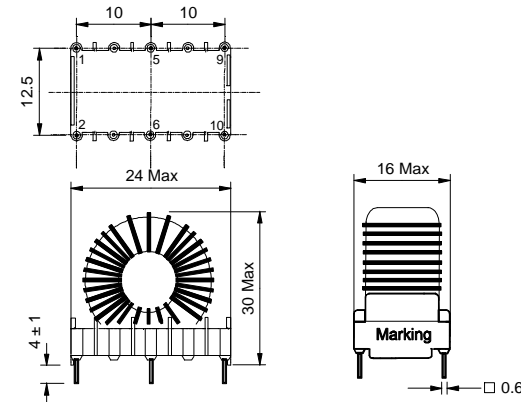
Schematic



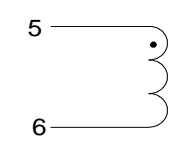
Inductance 1-2
Implantation in holes : 0,7 mm

PN : 55506EE

Mechanical dimensions



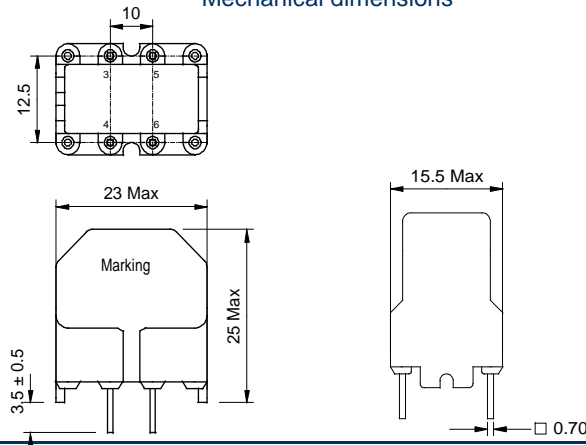
Schematic



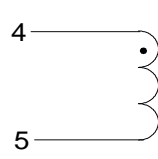
Inductance 5-6
Blind pins 1-2-9-10
Implantation in holes : 1,2 mm

PN : 55506BV

Mechanical dimensions



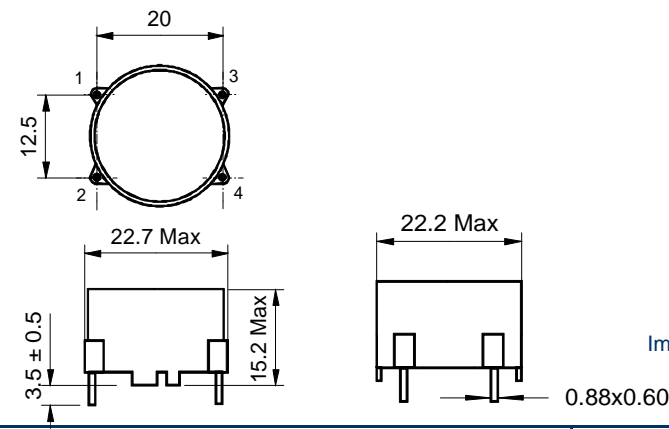
Schematic



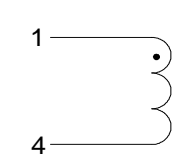
Inductance 4-5
Blind pins 3-6
Implantation in holes : 1,3 mm

PN : 55506BH

Mechanical dimensions



Schematic



Inductance 1-4
Blind pins 2-3
Implantation in holes : 1,3 mm