

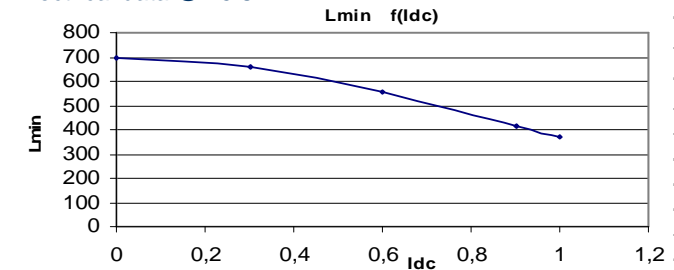
Resistance = 700mΩ max

Frequency kHz	Ripple Current	10%ΔI	20%ΔI	30%ΔI
25	Total losses mW	210	210	220
	ΔT°C	16	16	16
	Total losses mW	210	220	220
50	ΔT°C	16	16	17
	Total losses mW	210	220	230
75	ΔT°C	16	17	17
	Total losses mW	210	220	240
100	ΔT°C	16	17	18

Electrical data @ 25°C

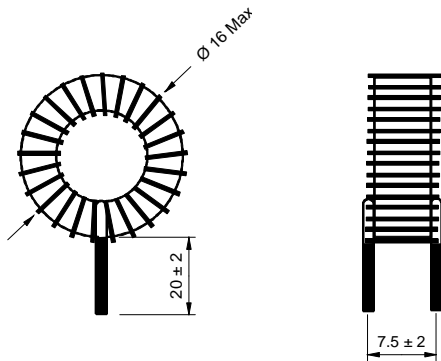
L f(Idc) Inductance Values

Idc (A)	Lmin (μH)
0	698
0,3	657
0,6	554
0,9	417
1	371

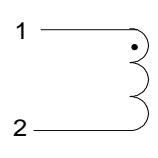


PN : 55504SNV

Mechanical dimensions



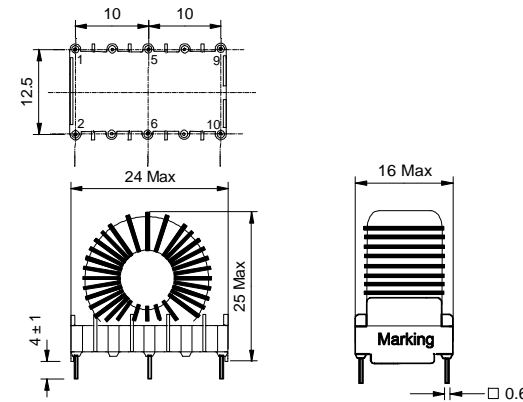
Schematic



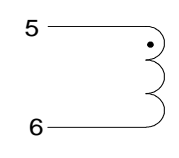
Inductance 1-2
Implantation in holes : 0.6 mm

PN : 55504EE

Mechanical dimensions



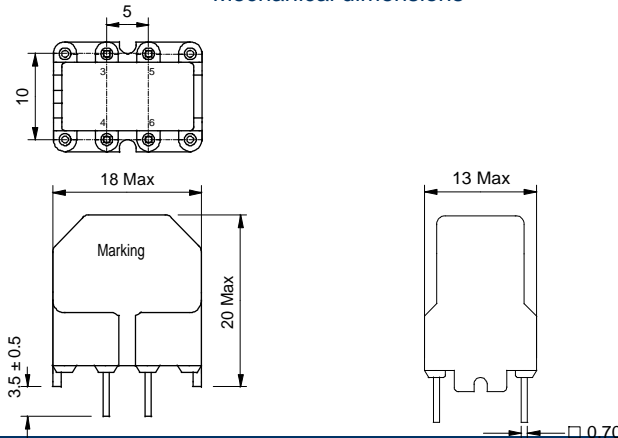
Schematic



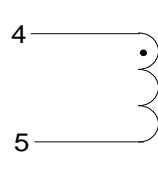
Inductance 5-6
Blind pins 1-2-9-10
Implantation in holes : 1,2 mm

PN : 55504BV

Mechanical dimensions



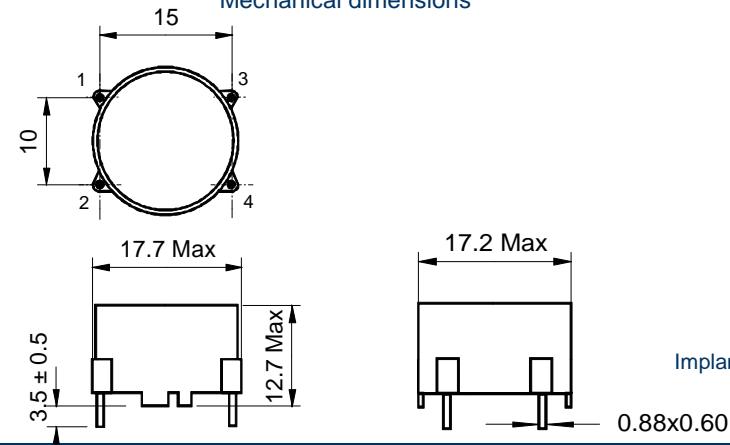
Schematic



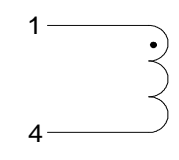
Inductance 4-5
Blind pins 3-6
Implantation in holes : 1,3 mm

PN : 55504BH

Mechanical dimensions



Schematic



Inductance 1-4
Blind pins 2-3
Implantation in holes : 1,3 mm