

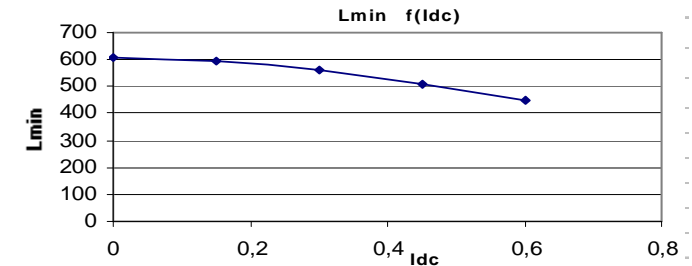
Resistance = 1180mΩ max

| Frequency kHz | Ripple Current | 10%ΔI | 20%ΔI | 30%ΔI |
|---------------|-----------------|-------|-------|-------|
| | | 0,03 | 0,06 | 0,09 |
| 25 | Total losses mW | 90 | 90 | 90 |
| | ΔT°C | 11 | 11 | 11 |
| 50 | Total losses mW | 90 | 90 | 90 |
| | ΔT°C | 11 | 11 | 12 |
| 75 | Total losses mW | 90 | 90 | 90 |
| | ΔT°C | 11 | 11 | 12 |
| 100 | Total losses mW | 90 | 90 | 100 |
| | ΔT°C | 11 | 12 | 12 |

Electrical data @ 25°C

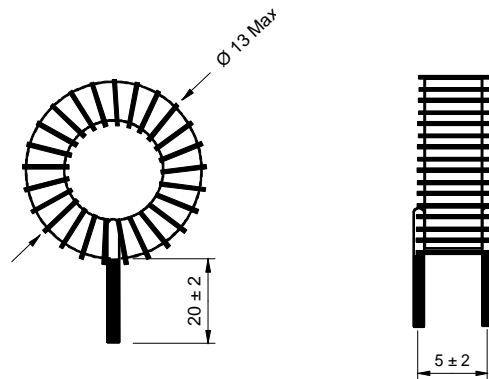
L f(Idc) Inductance Values

| Idc (A) | Lmin (μH) |
|---------|-----------|
| 0 | 605 |
| 0,15 | 593 |
| 0,3 | 560 |
| 0,45 | 510 |
| 0,6 | 450 |

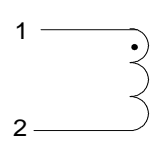


PN : 55502SNV

Mechanical dimensions



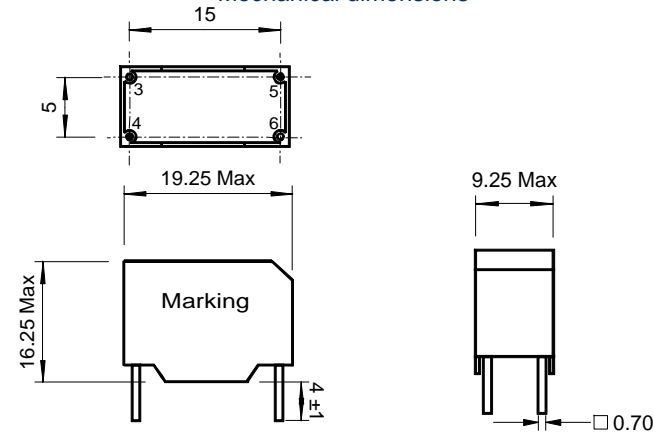
Schematic



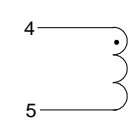
Inductance 1-2
Implantation in holes : 0.5 mm

PN : 55502BV

Mechanical dimensions



Schematic



Inductance 4-5
Blind pins 3-6
Implantation in holes : 1,3 mm