

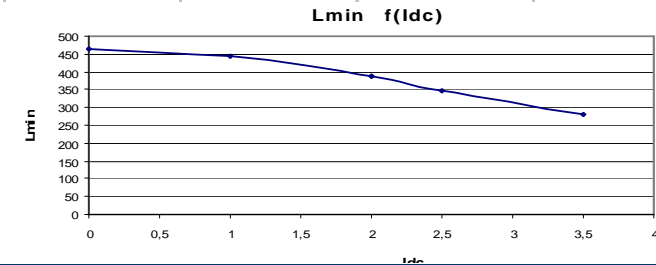
Resistance = 230mΩ max

Frequency kHz	Ripple Current	10%ΔI	20%ΔI	30%ΔI
25	Total losses mW	1160	1170	1170
	ΔT°C	28	28	28
	Total losses mW	1160	1180	1200
50	ΔT°C	28	28	29
	Total losses mW	1170	1190	1230
75	ΔT°C	28	29	29
	Total losses mW	1170	1200	1260
100	ΔT°C	28	29	30

Electrical data @ 25°C

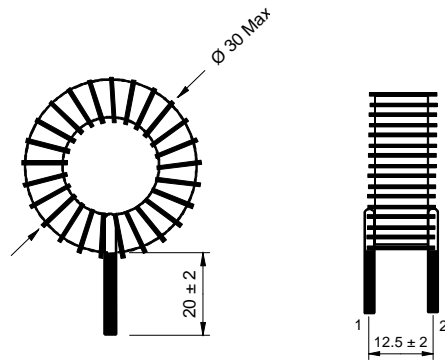
L f(Idc) Inductance Values

Idc (A)	Lmin (µH)
0	466
1	444
2	385
2,5	349
3,5	278

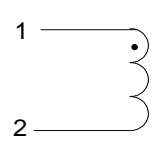


PN : 55460SNV

Mechanical dimensions



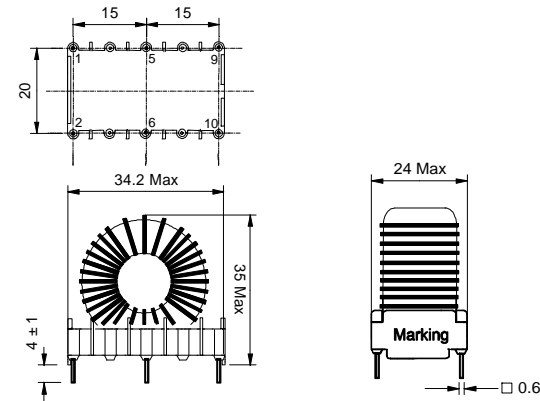
Schematic



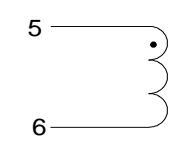
Inductance 1-2
Implantation in holes : 0,9 mm

PN : 55460EE

Mechanical dimensions



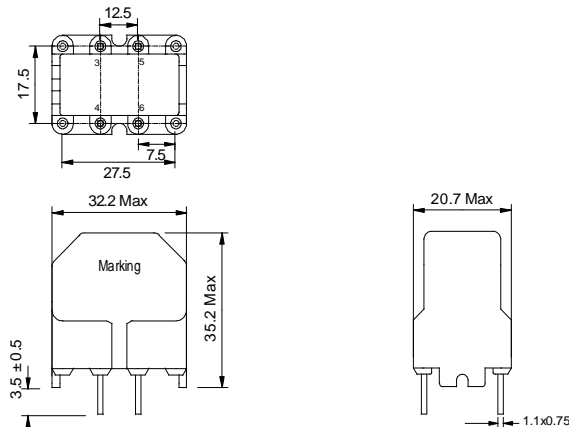
Schematic



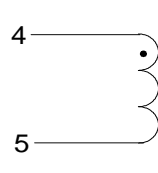
Inductance 5-6
Blind pins 1-2-9-10
Implantation in holes : 1,2 mm

PN : 55460BV

Mechanical dimensions



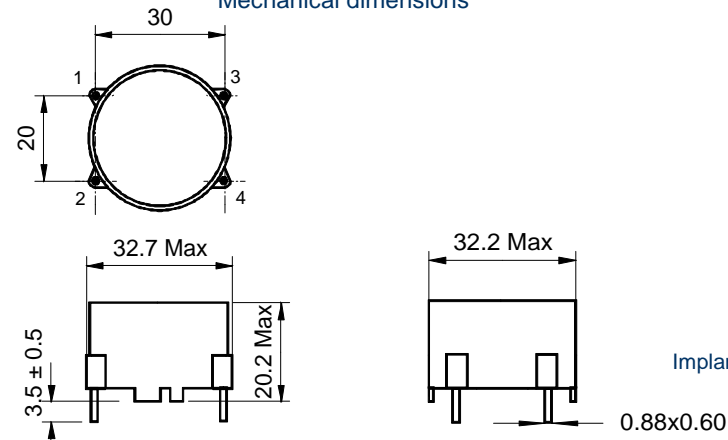
Schematic



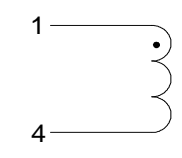
Inductance 4-5
Blind pins 3-6
Implantation in holes : 1,5 mm

PN : 55460BH

Mechanical dimensions



Schematic



Inductance 1-4
Blind pins 2-3
Implantation in holes : 1,3 mm