

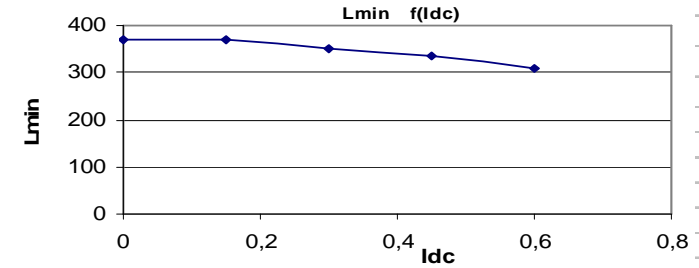
Resistance = 930mΩ max

| Frequency kHz | Ripple Current  | 10%ΔI | 20%ΔI | 30%ΔI |
|---------------|-----------------|-------|-------|-------|
|               |                 | 0,03  | 0,06  | 0,09  |
| 25            | Total losses mW | 70    | 70    | 70    |
|               | ΔT°C            | 9     | 9     | 9     |
| 50            | Total losses mW | 70    | 70    | 70    |
|               | ΔT°C            | 9     | 9     | 9     |
| 75            | Total losses mW | 70    | 70    | 70    |
|               | ΔT°C            | 9     | 9     | 10    |
| 100           | Total losses mW | 70    | 70    | 80    |
|               | ΔT°C            | 9     | 9     | 10    |

**L f(Idc) Inductance Values**

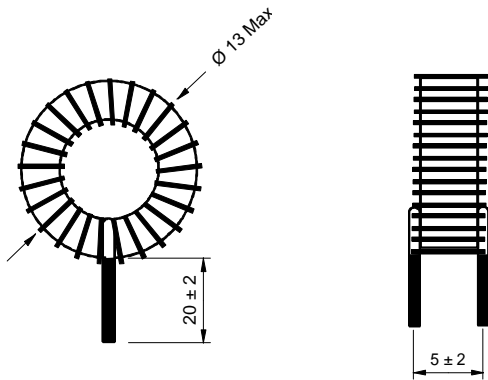
| Idc (A) | Lmin (μH) |
|---------|-----------|
| 0       | 371       |
| 0,15    | 368       |
| 0,3     | 352       |
| 0,45    | 334       |
| 0,6     | 309       |

Electrical data @ 25°C

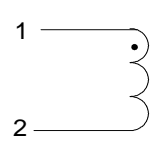


**PN : 55452SNV**

Mechanical dimensions



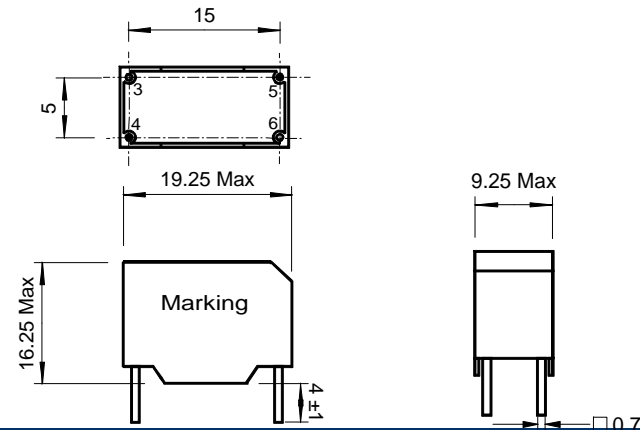
Schematic



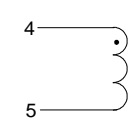
Inductance 1-2  
Implantation in holes : 0.5 mm

**PN : 55452BV**

Mechanical dimensions



Schematic



Inductance 4-5  
Blind pins 3-6  
Implantation in holes : 1,3 mm