

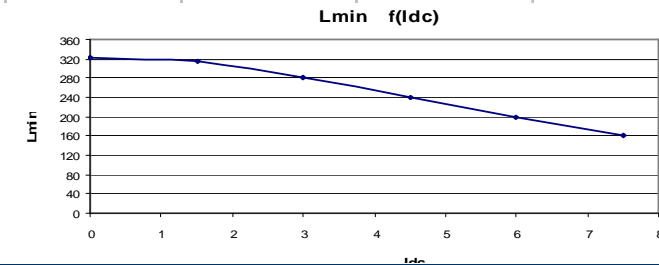
Resistance = 70mΩ max

Frequency kHz	Ripple Current	10%ΔI	20%ΔI	30%ΔI
25	Total losses mW	2050	2070	2100
	ΔT°C	32	32	33
	Total losses mW	2060	2110	2200
50	ΔT°C	32	33	34
	Total losses mW	2070	2150	2310
	ΔT°C	32	33	35
75	Total losses mW	2080	2210	2440
	ΔT°C	32	34	37
	Total losses mW			
100	ΔT°C			
	Total losses mW			
	ΔT°C			

Electrical data @ 25°C

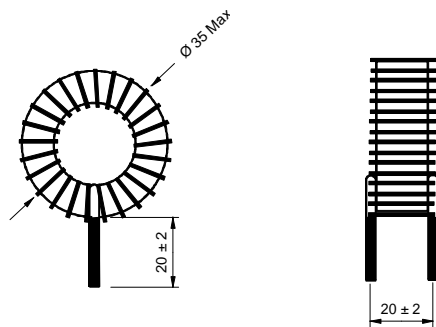
L f(I_{dc}) Inductance Values

I _{dc} (A)	L _{min} (μH)
0	324
1,5	313
3	282
4,5	241
6	199
7,5	161

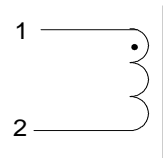


PN : 55414SNV

Mechanical dimensions



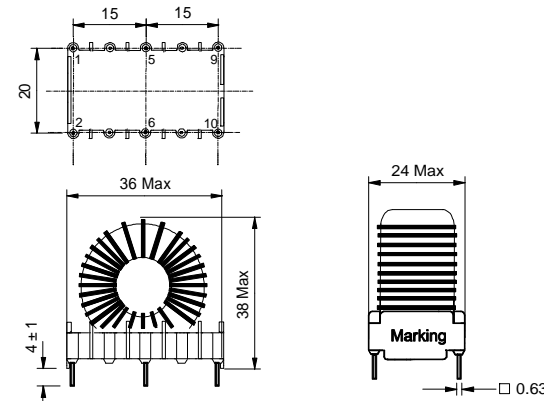
Schematic



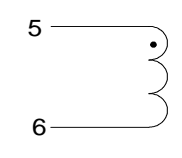
Inductance 1-2
Implantation in holes : 1,4 mm

PN : 55414EE

Mechanical dimensions



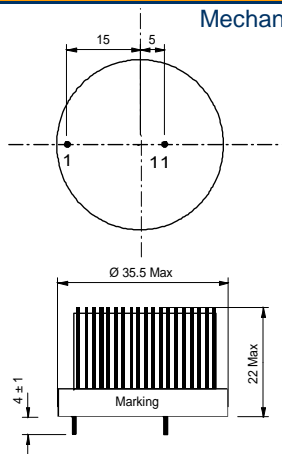
Schematic



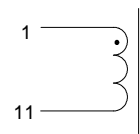
Inductance 4-5
Blind pins 1-2-9-10
5-6 Implantation in holes : 1,4 mm
1-2-9-10 Implantation in holes : 1,2 mm

PN : 55414BPC

Mechanical dimensions



Schematic



Inductance 1-11
Implantation in holes : 1,4 mm