

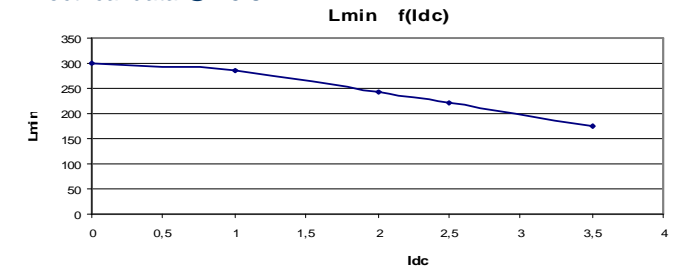
Resistance = 180mΩ max

Frequency kHz	Ripple Current	10%ΔI	20%ΔI	30%ΔI
25	Total losses mW	930	930	940
	ΔT°C	29	29	29
	Total losses mW	930	940	950
50	ΔT°C	29	29	29
	Total losses mW	930	950	970
	ΔT°C	29	29	30
75	Total losses mW	940	950	990
	ΔT°C	29	29	30
	Total losses mW	940	950	990
100	ΔT°C	29	29	30

Electrical data @ 25°C

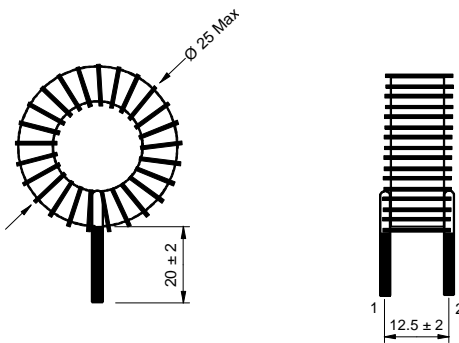
L f(I_{dc}) Inductance Values

I _{dc} (A)	L _{min} (μH)
0	298
1	284
2	244
2,5	220
3,5	173

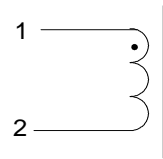


PN : 55410SNV

Mechanical dimensions



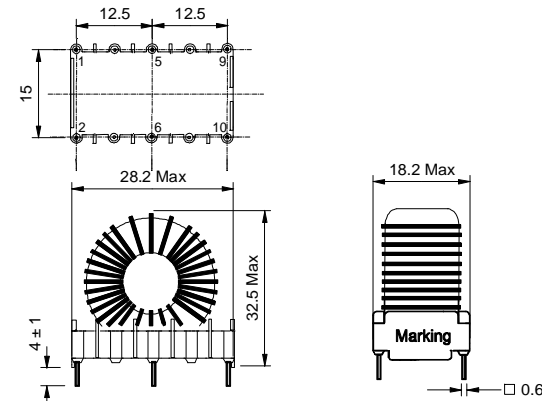
Schematic



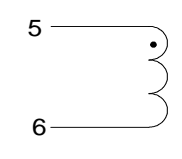
Inductance 1-2
Implantation in holes : 0.9 mm

PN : 55410EE

Mechanical dimensions



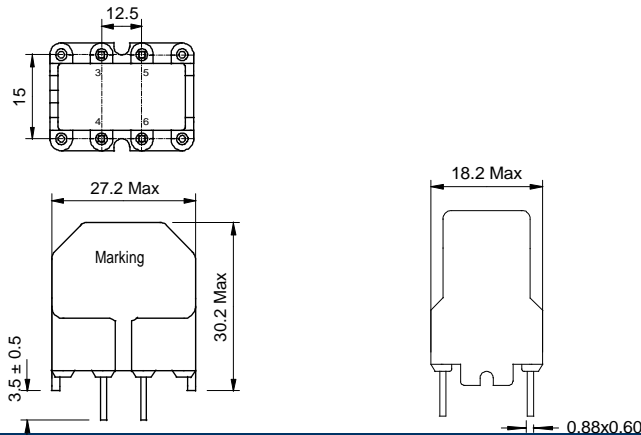
Schematic



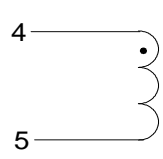
Inductance 5-6
Blind pins 1-2-9-10
Implantation in holes : 1,2 mm

PN : 55410BV

Mechanical dimensions



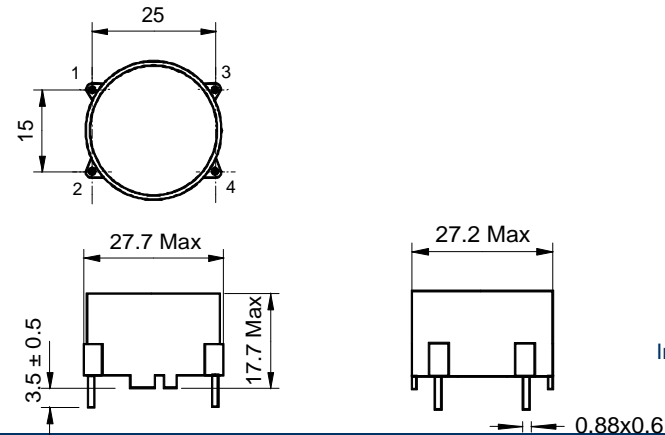
Schematic



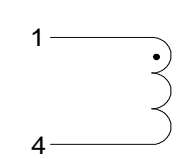
Inductance 4-5
Blind pins 3-6
Implantation in holes : 1,3 mm

PN : 55410BH

Mechanical dimensions



Schematic



Inductance 1-4
Blind pins 2-3
Implantation in holes : 1,3 mm