

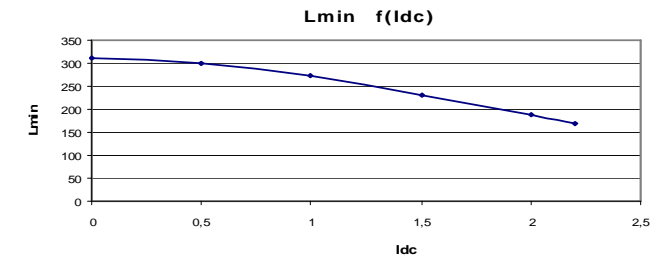
Resistance = 310 mΩ max

Frequency kHz	Ripple Current	10%ΔI	20%ΔI	30%ΔI
25	Total losses mW	390	400	400
	ΔT°C	18	18	18
50	Total losses mW	390	400	420
	ΔT°C	18	18	19
75	Total losses mW	390	410	450
	ΔT°C	18	19	20
100	Total losses mW	400	420	480
	ΔT°C	18	19	21

Electrical data @ 25°C

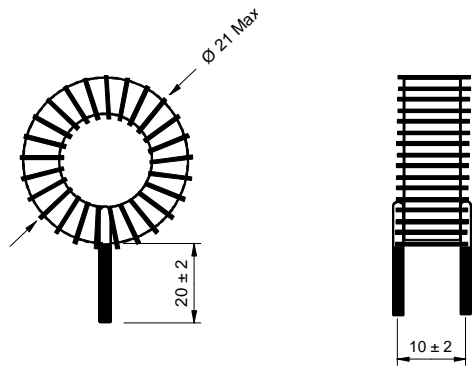
L f(Idc) Inductance Values

Idc (A)	Lmin (µH)
0	311
0,5	300
1	272
1,5	232
2	187
2,2	169

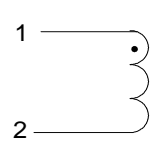


PN : 55408SNV

Mechanical dimensions



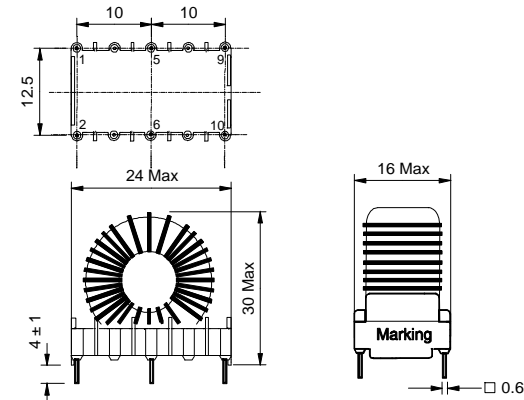
Schematic



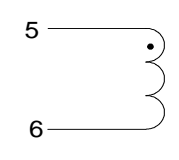
Inductance 1-2
Implantation in holes : 0.8 mm

PN : 55408EE

Mechanical dimensions



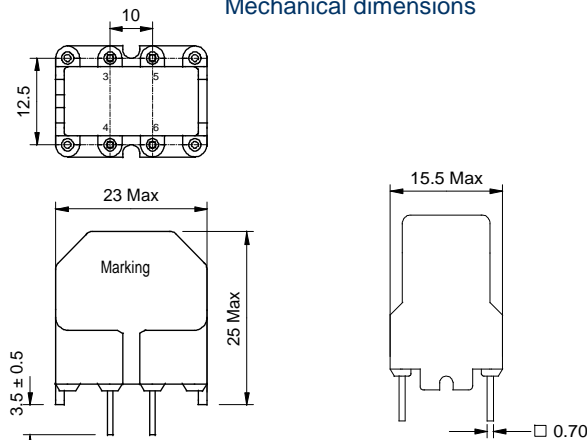
Schematic



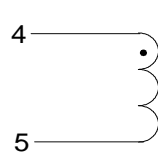
Inductance 5-6
Blind pins 1-2-9-10
Implantation in holes : 1,2 mm

PN : 55408BV

Mechanical dimensions



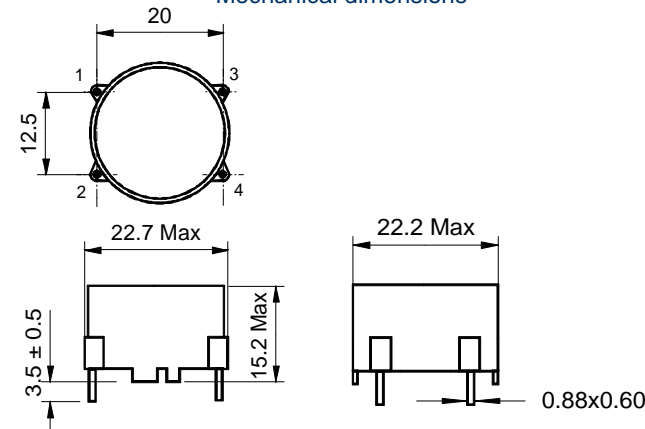
Schematic



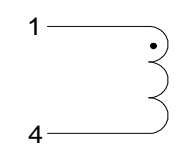
Inductance 4-5
Blind pins 3-6
Implantation in holes : 1,3 mm

PN : 55408BH

Mechanical dimensions



Schematic



Inductance 1-4
Blind pins 2-3
Implantation in holes : 1,3 mm