

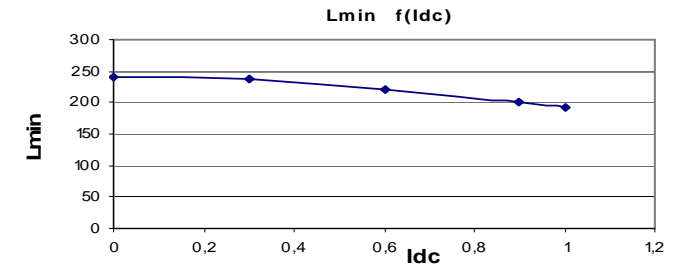
Resistance = 410mΩ max

Frequency kHz	Ripple Current	10%ΔI	20%ΔI	30%ΔI
25	Total losses mW	120	120	130
	ΔT°C	10	10	11
	Total losses mW	120	120	130
50	Total losses mW	120	130	130
	ΔT°C	10	11	11
	Total losses mW	120	130	130
75	Total losses mW	120	130	130
	ΔT°C	10	11	11
	Total losses mW	120	130	130
100	Total losses mW	120	130	130
	ΔT°C	10	11	11
	Total losses mW	120	130	130

Electrical data @ 25°C

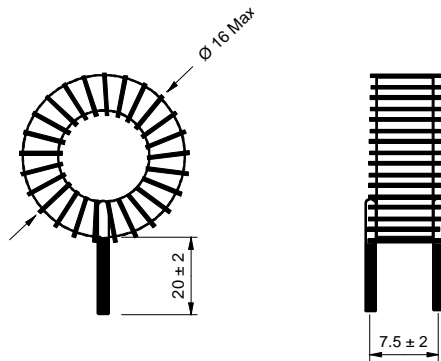
L f(I_{dc}) Inductance Values

I _{dc} (A)	L _{min} (µH)
0	241
0,3	237
0,6	222
0,9	201
1	193

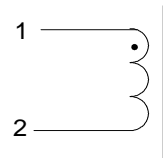


PN : 55404SNV

Mechanical dimensions



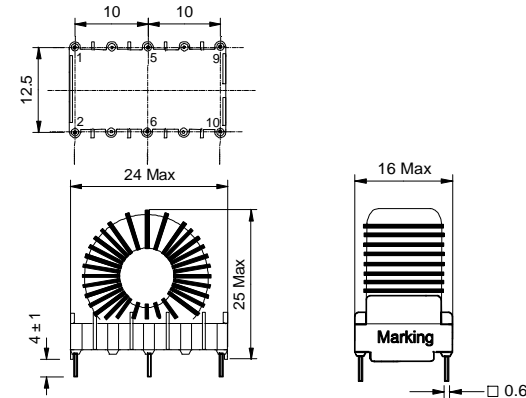
Schematic



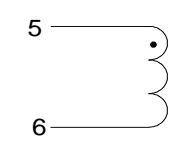
Inductance 1-2
Implantation in holes : 0.6 mm

PN : 55404EE

Mechanical dimensions



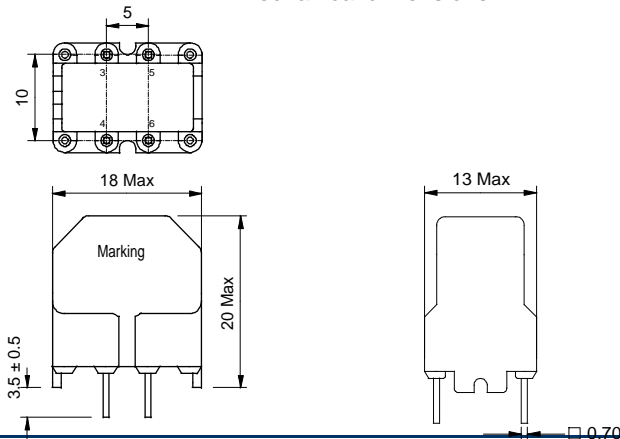
Schematic



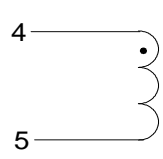
Inductance 5-6
Blind pins 1-2-9-10
Implantation in holes : 1,2 mm

PN : 55404BV

Mechanical dimensions



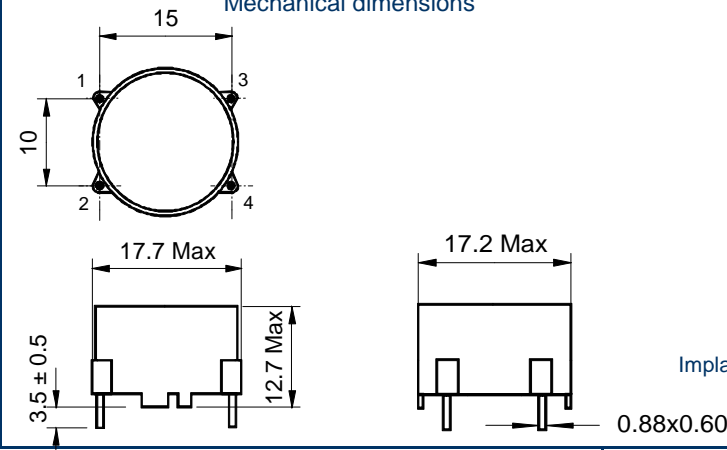
Schematic



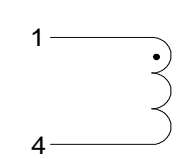
Inductance 4-5
Blind pins 3-6
Implantation in holes : 1,3 mm

PN : 55404BH

Mechanical dimensions



Schematic



Inductance 1-4
Blind pins 2-3
Implantation in holes : 1,3 mm