

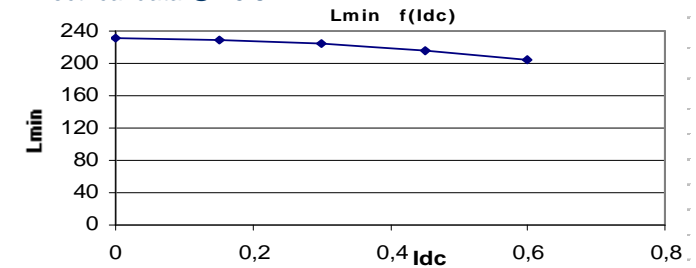
Resistance = 730mΩ max

Frequency kHz	Ripple Current	10%ΔI	20%ΔI	30%ΔI
25	Total losses mW	50	50	50
	ΔT°C	8	8	8
50	Total losses mW	50	50	50
	ΔT°C	8	8	8
75	Total losses mW	50	50	50
	ΔT°C	8	8	8
100	Total losses mW	50	50	50
	ΔT°C	8	8	8

L f(Idc) Inductance Values

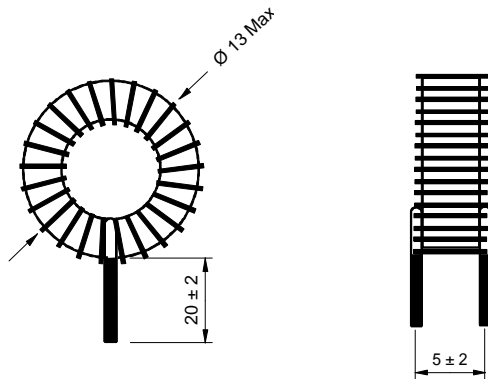
Idc (A)	Lmin (μH)
0	231
0,15	229
0,3	224
0,45	216
0,6	205

Electrical data @ 25°C

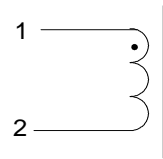


PN : 55402SNV

Mechanical dimensions



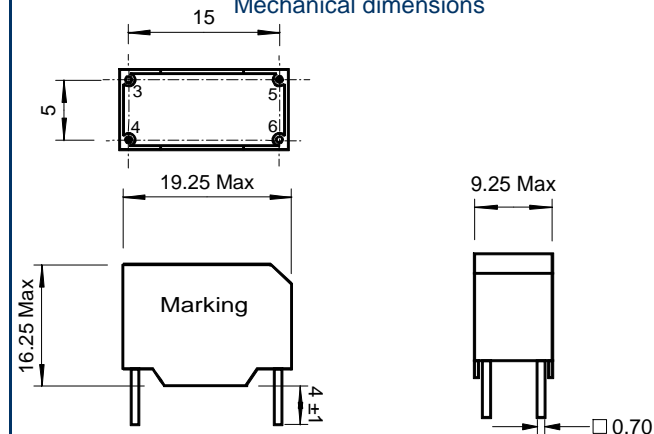
Schematic



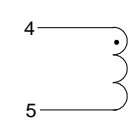
Inductance 1-2
Implantation in holes : 0.5 mm

PN : 55402BV

Mechanical dimensions



Schematic



Inductance 4-5
Blind pins 3-6
Implantation in holes : 1,3 mm