

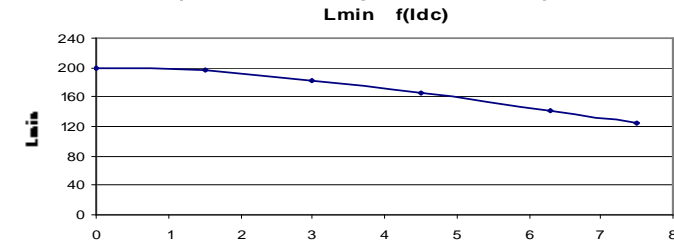
Resistance = 50mΩ max

| Frequency kHz | Ripple Current | 10%ΔI | 20%ΔI | 30%ΔI |
|---------------|-----------------|-------|-------|-------|
| 25 | Total losses mW | 1610 | 1620 | 1640 |
| | ΔT°C | 26 | 26 | 27 |
| | Total losses mW | 1620 | 1650 | 1700 |
| 50 | ΔT°C | 26 | 27 | 27 |
| | Total losses mW | 1620 | 1680 | 1770 |
| | ΔT°C | 26 | 27 | 28 |
| 75 | Total losses mW | 1630 | 1710 | 1850 |
| | ΔT°C | 26 | 27 | 29 |
| | Total losses mW | 1630 | 1710 | 1850 |
| 100 | ΔT°C | 26 | 27 | 29 |

Electrical data @ 25°C

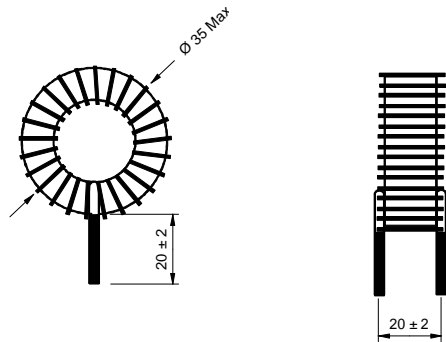
L f(Idc) Inductance Values

| Idc (A) | Lmin (μH) |
|---------|-----------|
| 0 | 200 |
| 1,5 | 196 |
| 3 | 183 |
| 4,5 | 165 |
| 6,3 | 141 |
| 7,5 | 124 |

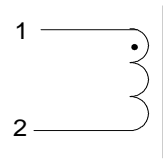


PN : 55364SNV

Mechanical dimensions



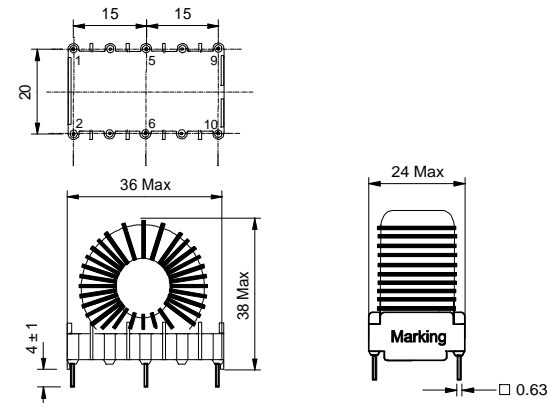
Schematic



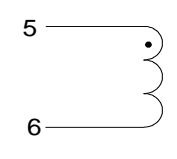
Inductance 1-2
Implantation in holes : 1,4 mm

PN : 55364EE

Mechanical dimensions



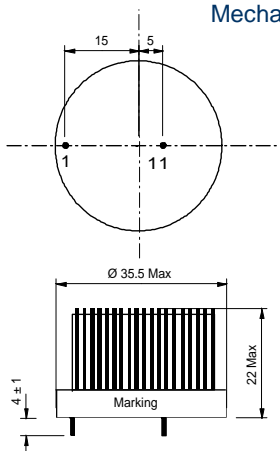
Schematic



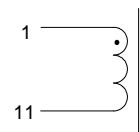
Inductance 4-5
Blind pins 1-2-9-10
5-6 Implantation in holes : 1,4 mm
1-2-9-10 Implantation in holes : 1,2 mm

PN : 55364BPC

Mechanical dimensions



Schematic



Inductance 1-11
Implantation in holes : 1,4 mm