

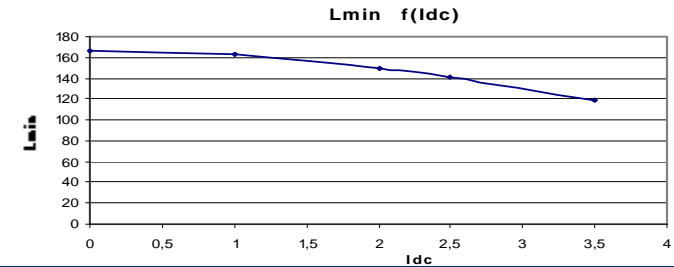
Resistance = 135mΩ max

Frequency kHz	Ripple Current	10%ΔI	20%ΔI	30%ΔI
25	Total losses mW	690	690	700
	ΔT°C	22	23	23
	Total losses mW	690	700	710
50	ΔT°C	23	23	23
	Total losses mW	690	700	720
75	ΔT°C	23	23	23
	Total losses mW	690	710	730
100	ΔT°C	23	23	24

Electrical data @ 25°C

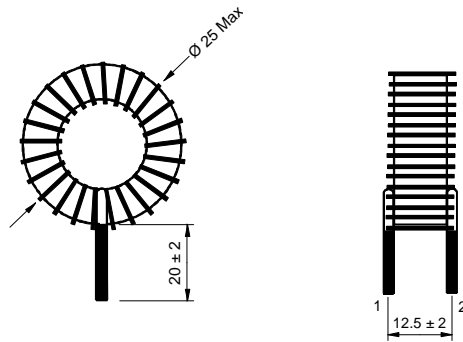
**L f(Idc) Inductance Values**

Idc (A)	Lmin (µH)
0	167
1	163
2	149
2,5	141
3,5	120

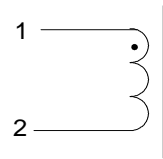


**PN : 55360SNV**

Mechanical dimensions



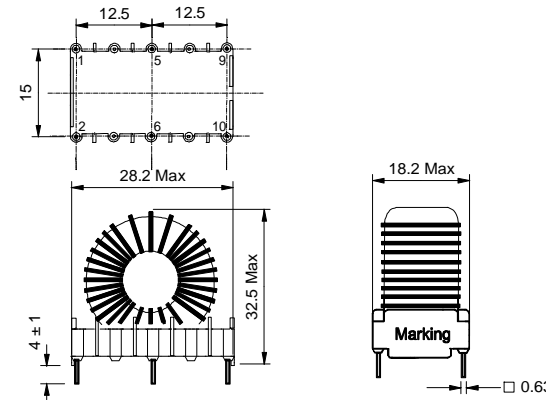
Schematic



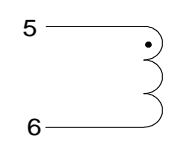
Inductance 1-2  
Implantation in holes : 0.9 mm

**PN : 55360EE**

Mechanical dimensions



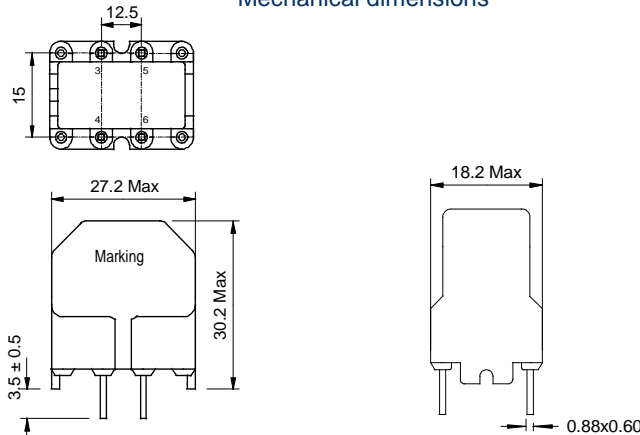
Schematic



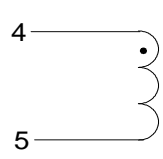
Inductance 5-6  
Blind pins 1-2-9-10  
Implantation in holes : 1,2 mm

**PN : 55360BV**

Mechanical dimensions



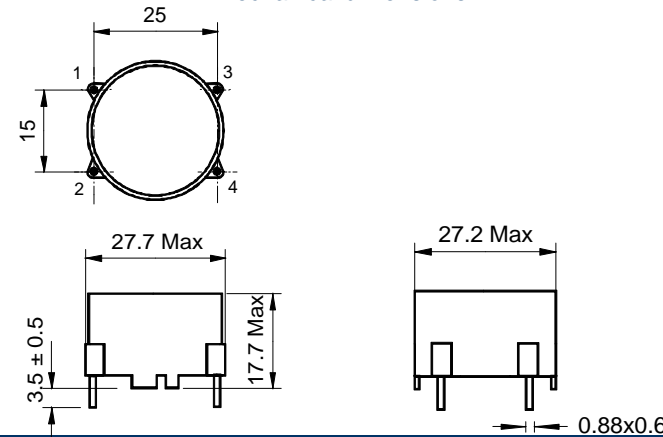
Schematic



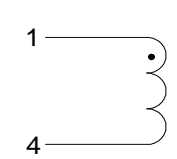
Inductance 4-5  
Blind pins 3-6  
Implantation in holes : 1,3 mm

**PN : 55360BH**

Mechanical dimensions



Schematic



Inductance 1-4  
Blind pins 2-3  
Implantation in holes : 1,3 mm