

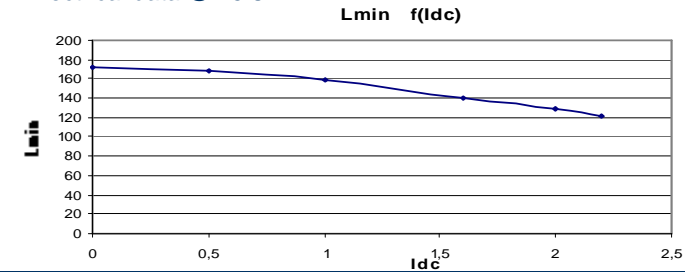
Resistance = 140 mΩ max

Frequency kHz	Ripple Current	10%ΔI	20%ΔI	30%ΔI
25	Total losses mW	290	290	300
	ΔT°C	14	14	14
	Total losses mW	290	300	310
50	ΔT°C	14	14	14
	Total losses mW	290	310	330
75	ΔT°C	14	15	15
	Total losses mW	290	310	350
100	ΔT°C	14	15	16

Electrical data @ 25°C

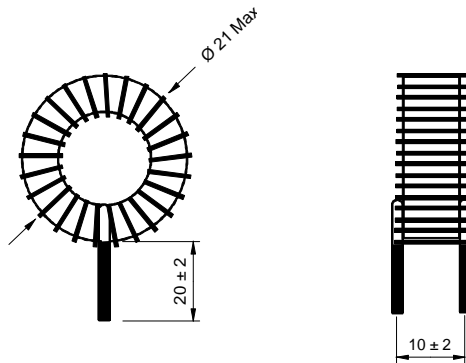
**L f(Idc) Inductance Values**

Idc (A)	Lmin (µH)
0	172
0,5	168
1	159
1,6	141
2	128
2,2	121

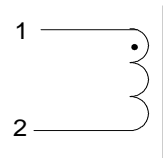


**PN : 55358SNV**

Mechanical dimensions



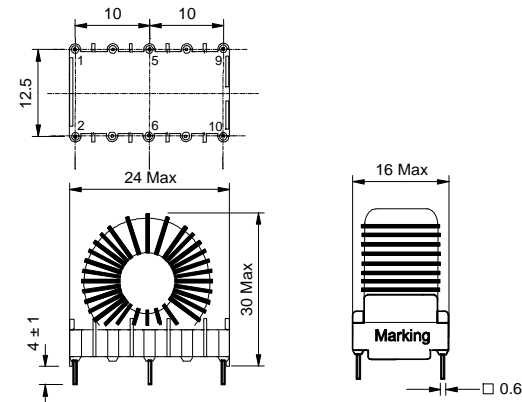
Schematic



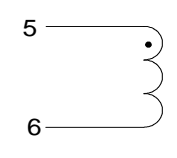
Inductance 1-2  
Implantation in holes : 0.8 mm

**PN : 55358EE**

Mechanical dimensions



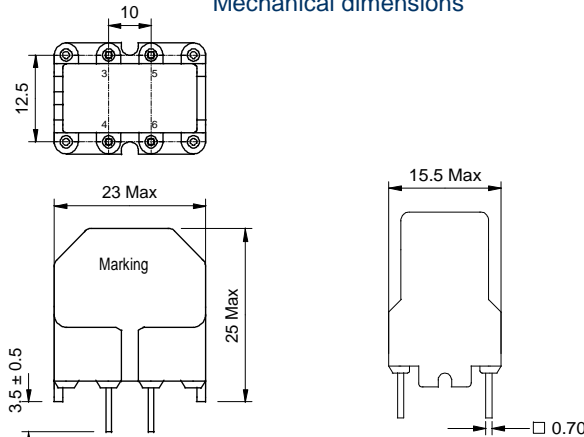
Schematic



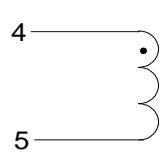
Inductance 5-6  
Blind pins 1-2-9-10  
Implantation in holes : 1,2 mm

**PN : 55358BV**

Mechanical dimensions



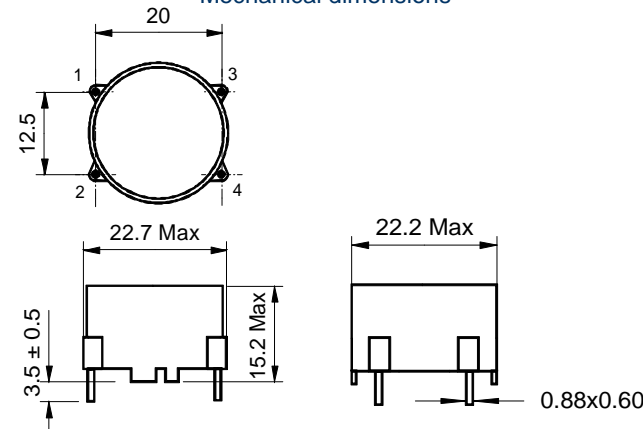
Schematic



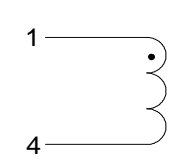
Inductance 4-5  
Blind pins 3-6  
Implantation in holes : 1,3 mm

**PN : 55358BH**

Mechanical dimensions



Schematic



Inductance 1-4  
Blind pins 2-3  
Implantation in holes : 1,3 mm