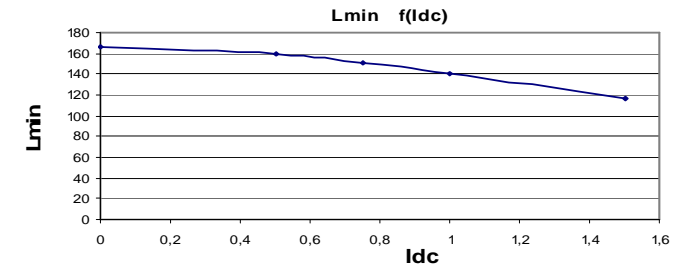


Frequency kHz	Ripple Current	10% Δ I	20% Δ I	30% Δ I
		25	Total losses mW Δ T $^{\circ}$ C	350 25
50	Total losses mW Δ T $^{\circ}$ C	350 25	350 25	360 26
75	Total losses mW Δ T $^{\circ}$ C	350 25	360 25	370 26
100	Total losses mW Δ T $^{\circ}$ C	350 25	360 26	370 26

L f(I_{dc}) Inductance Values

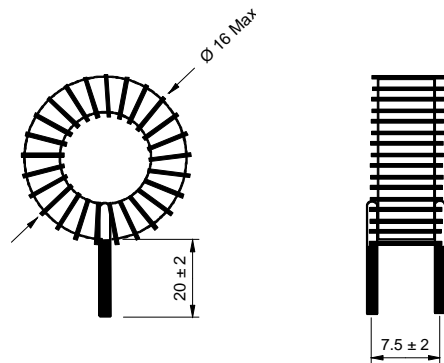
I _{dc} (A)	L _{min} (μ H)
0	165
0,5	159
0,75	151
1	141
1,5	117

Electrical data @ 25 $^{\circ}$ C

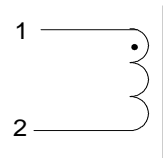


PN : 55356SNV

Mechanical dimensions



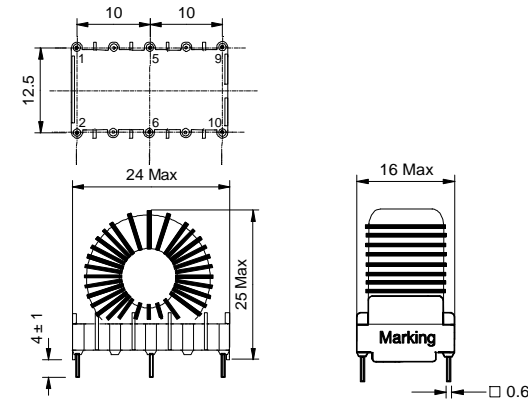
Schematic



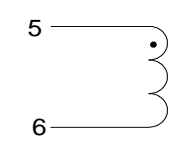
Inductance 1-2
Implantation in holes : 0.7 mm

PN : 55356EE

Mechanical dimensions



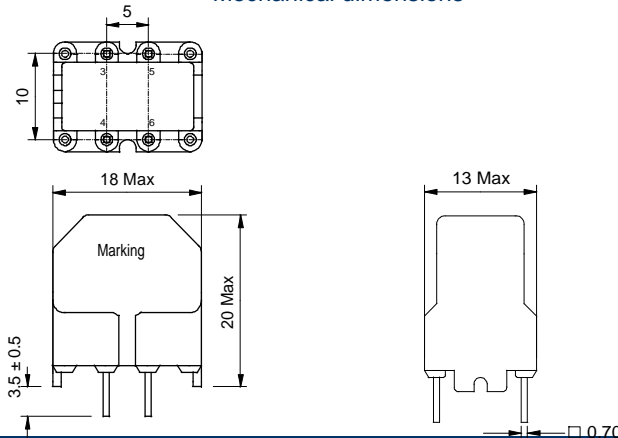
Schematic



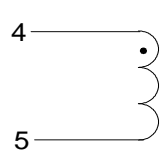
Inductance 5-6
Blind pins 1-2-9-10
Implantation in holes : 1,2 mm

PN : 55356BV

Mechanical dimensions



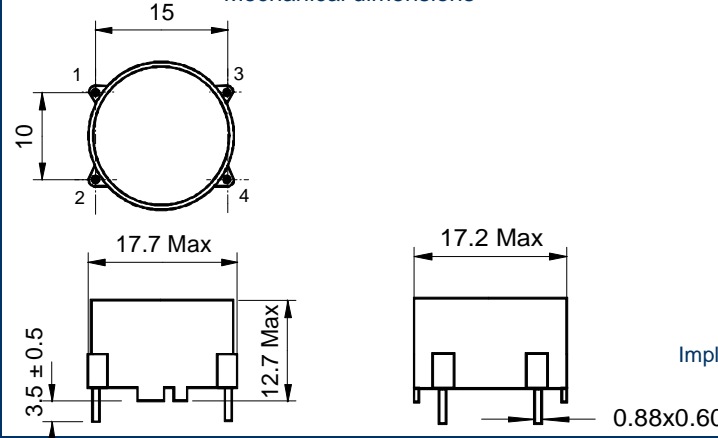
Schematic



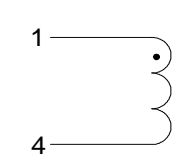
Inductance 4-5
Blind pins 3-6
Implantation in holes : 1,3 mm

PN : 55356BH

Mechanical dimensions



Schematic



Inductance 1-4
Blind pins 2-3
Implantation in holes : 1,3 mm