

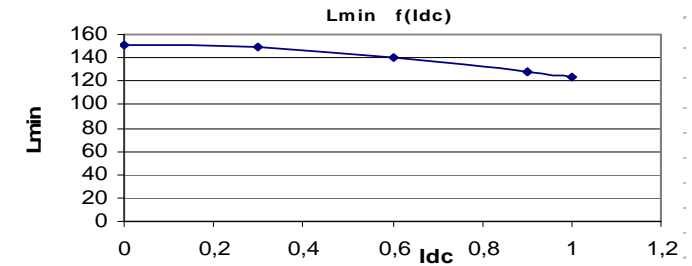
Resistance = 265mΩ max

Frequency kHz	Ripple Current	10%ΔI	20%ΔI	30%ΔI
25	Total losses mW	80	80	80
	ΔT°C	10	10	10
50	Total losses mW	80	80	80
	ΔT°C	10	10	11
75	Total losses mW	80	80	90
	ΔT°C	10	10	11
100	Total losses mW	80	80	90
	ΔT°C	10	11	11

Electrical data @ 25°C

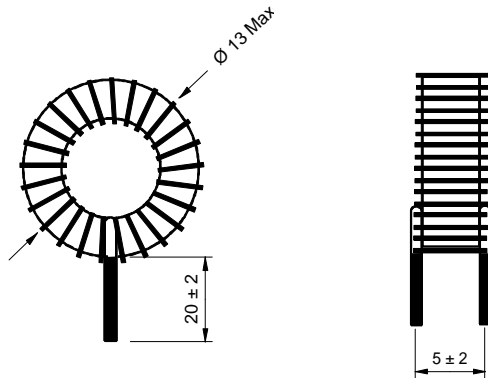
**L f(Idc) Inductance Values**

Idc (A)	Lmin (μH)
0	151
0,3	149
0,6	141
0,9	128
1	123

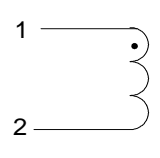


**PN : 55354SNV**

Mechanical dimensions



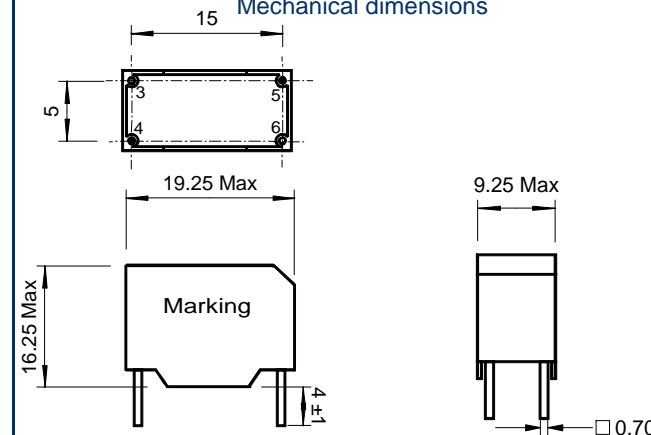
Schematic



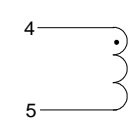
Inductance 1-2  
Implantation in holes : 0.6 mm

**PN : 55354BV**

Mechanical dimensions



Schematic



Inductance 4-5  
Blind pins 3-6  
Implantation in holes : 1,3 mm