

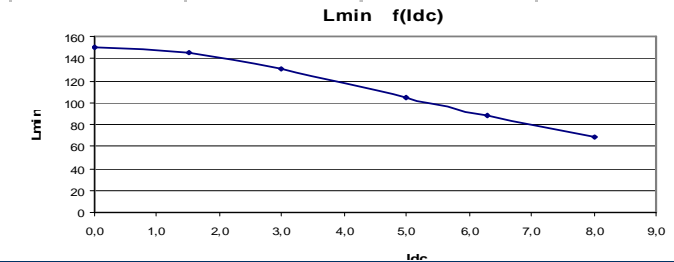
Resistance = 40mΩ max

Frequency kHz	Ripple Current	10%ΔI	20%ΔI	30%ΔI
25	Total losses mW	1320	1330	1340
	ΔT°C	31	31	32
	Total losses mW	1320	1340	1370
50	ΔT°C	31	32	32
	Total losses mW	1330	1360	1410
75	ΔT°C	31	32	33
	Total losses mW	1330	1370	1450
100	ΔT°C	32	32	34

Electrical data @ 25°C

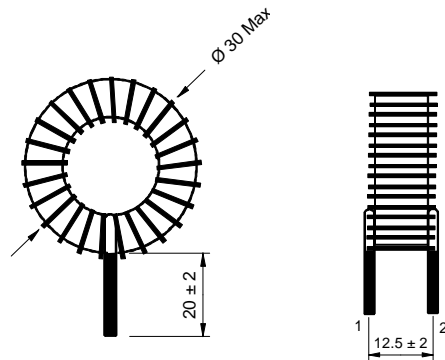
L f(Idc) Inductance Values

Idc (A)	Lmin (µH)
0	150
1,5	145
3	130
5	105
6,3	88
8	69

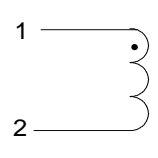


PN : 55314SNV

Mechanical dimensions



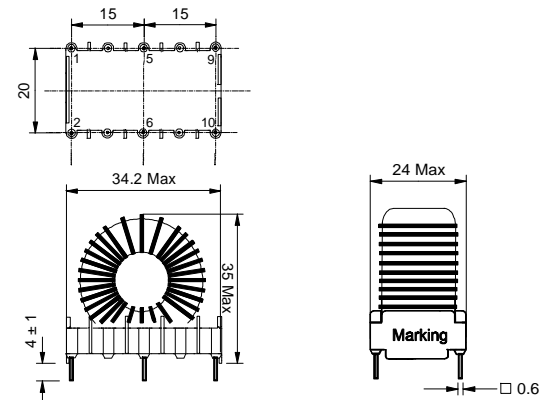
Schematic



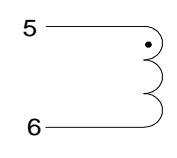
Inductance 1-2
Implantation in holes : 1,4 mm

PN : 55314EE

Mechanical dimensions



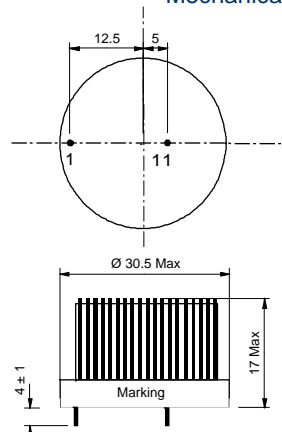
Schematic



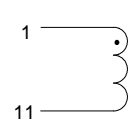
Inductance 4-5
Blind pins 1-2-9-10
5-6 Implantation in holes : 1,4 mm
1-2-9-10 Implantation in holes : 1,2 mm

PN : 55314BPC

Mechanical dimensions



Schematic



Inductance 1-11
Implantation in holes : 1,4 mm