

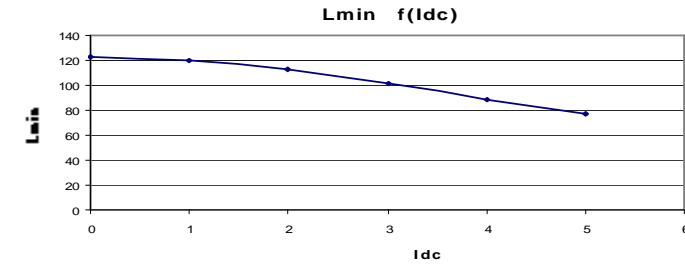
Resistance = 60mΩ max

Frequency kHz	Ripple Current	10%ΔI	20%ΔI	30%ΔI
25	Total losses mW	750	750	760
	ΔT°C	24	24	24
50	Total losses mW	750	760	770
	ΔT°C	24	24	24
75	Total losses mW	750	770	790
	ΔT°C	24	24	25
100	Total losses mW	760	770	810
	ΔT°C	24	25	25

L f(Idc) Inductance Values

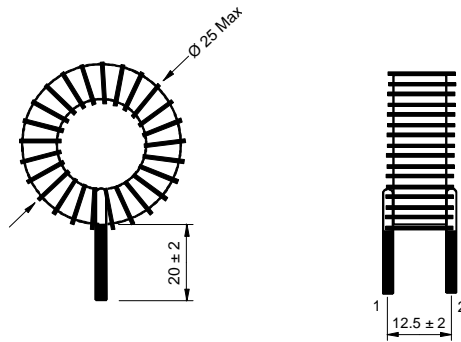
Idc (A)	Lmin (μH)
0	122
1	121
2	113
3	101
4	89
5	77

Electrical data @ 25°C

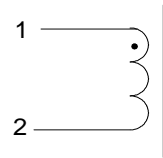


PN : 55312SNV

Mechanical dimensions



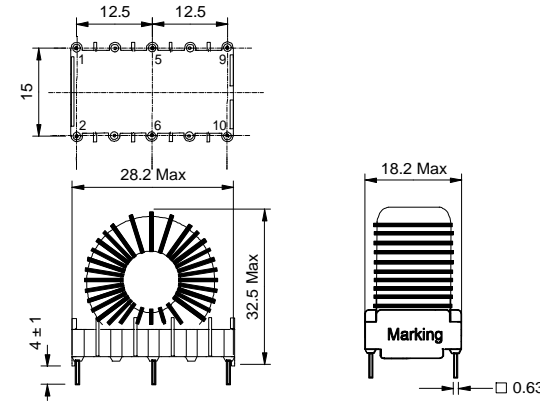
Schematic



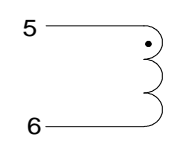
Inductance 1-2
Implantation in holes : 1.2 mm

PN : 55312EE

Mechanical dimensions



Schematic



Inductance 5-6
Blind pins 1-2-9-10
Implantation in holes : 1.2 mm

[See Version BV](#)

[See Version BH](#)