

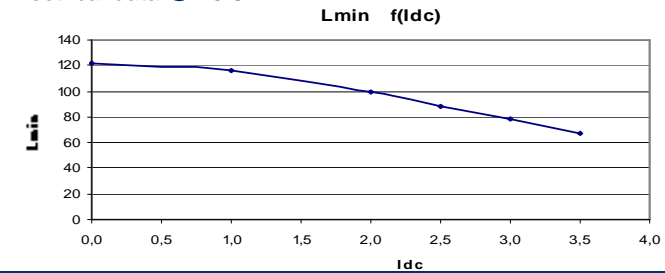
Resistance = 70 mΩ max

Frequency kHz	Ripple Current	10%ΔI	20%ΔI	30%ΔI
25	Total losses mW	380	390	390
	ΔT°C	17	17	18
	Total losses mW	380	390	410
50	ΔT°C	17	18	19
	Total losses mW	380	400	440
	ΔT°C	17	18	19
75	Total losses mW	380	410	460
	ΔT°C	18	19	20
	Total losses mW	390	410	460
100	ΔT°C	18	19	20

Electrical data @ 25°C

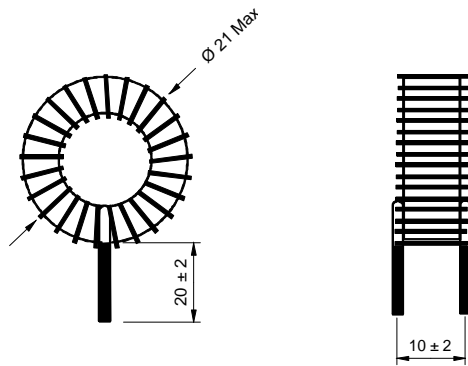
L f(Idc) Inductance Values

Idc (A)	Lmin (µH)
0	122
1	116
2	99
2,5	88
3	78
3,5	67

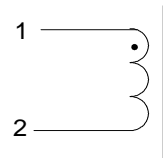


PN : 55310SNV

Mechanical dimensions



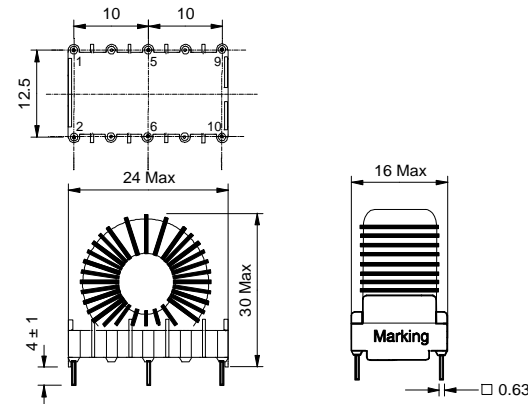
Schematic



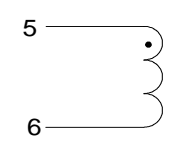
Inductance 1-2
Implantation in holes : 0.9 mm

PN : 55310EE

Mechanical dimensions



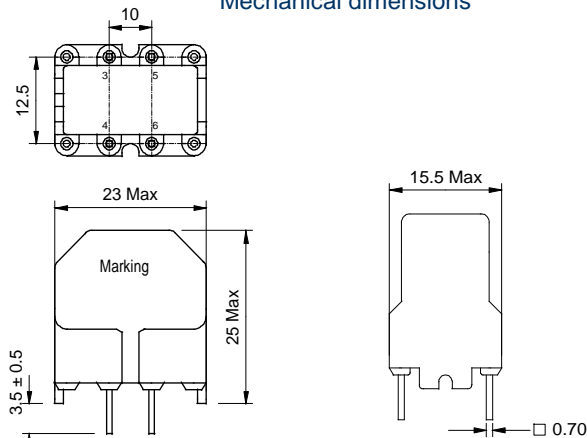
Schematic



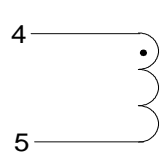
Inductance 5-6
Blind pins 1-2-9-10
Implantation in holes : 1,2 mm

PN : 55310BV

Mechanical dimensions



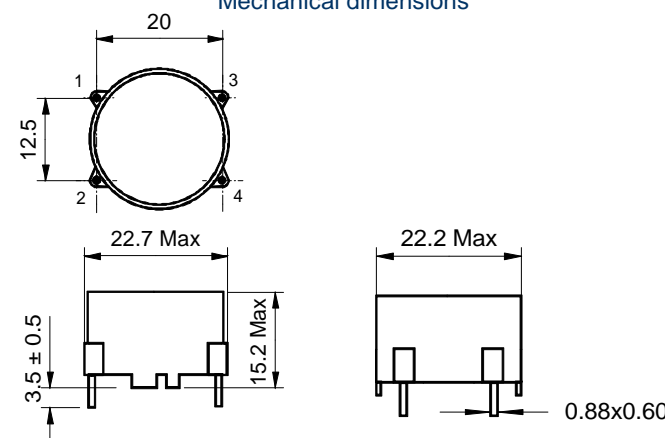
Schematic



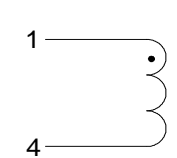
Inductance 4-5
Blind pins 3-6
Implantation in holes : 1,3 mm

PN : 55310BH

Mechanical dimensions



Schematic



Inductance 1-4
Blind pins 2-3
Implantation in holes : 1,3 mm