

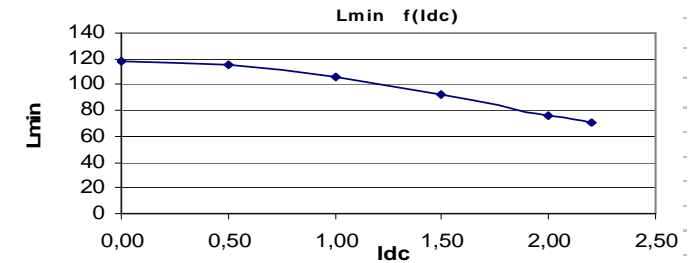
Resistance = 100mΩ max

Frequency kHz	Ripple Current	10%ΔI	20%ΔI	30%ΔI
25	Total losses mW	220	220	230
	ΔT°C	17	17	17
	Total losses mW	220	230	230
50	ΔT°C	17	17	18
	Total losses mW	220	230	240
75	ΔT°C	17	17	18
	Total losses mW	220	230	260
100	ΔT°C	17	18	19

Electrical data @ 25°C

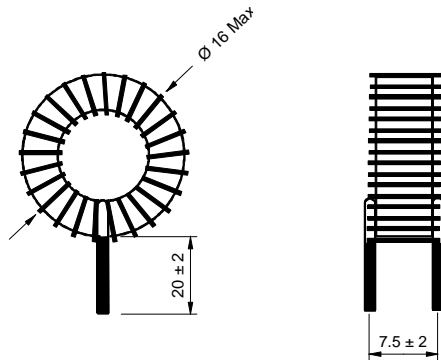
L f(I_{dc}) Inductance Values

I _{dc} (A)	L _{min} (μH)
0	118
0,5	115
1	106
1,5	92
2	77
2,2	70

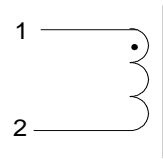


PN : 55308SNV

Mechanical dimensions



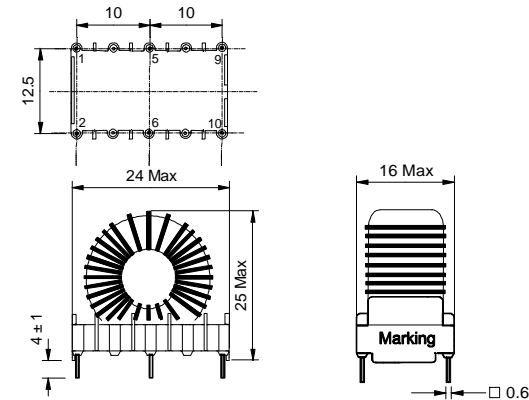
Schematic



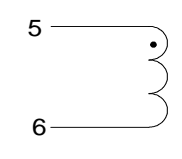
Inductance 1-2
Implantation in holes : 0.8 mm

PN : 55308EE

Mechanical dimensions



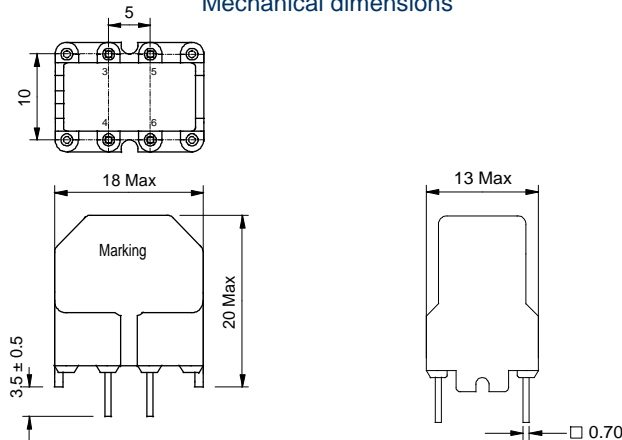
Schematic



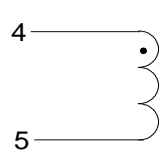
Inductance 5-6
Blind pins 1-2-9-10
Implantation in holes : 1,2 mm

PN : 55308BV

Mechanical dimensions



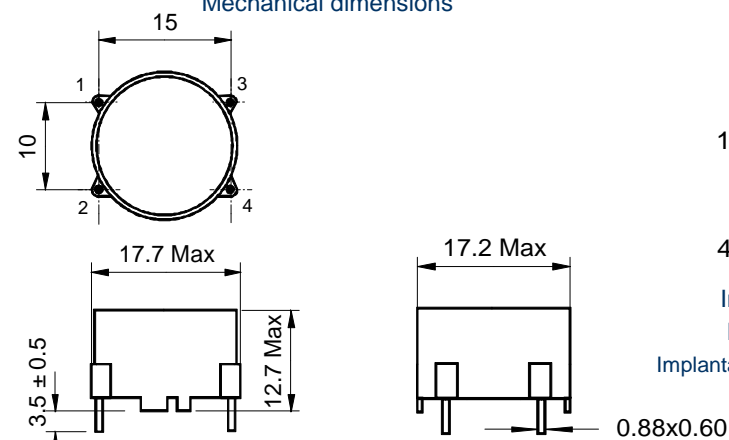
Schematic



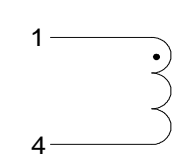
Inductance 4-5
Blind pins 3-6
Implantation in holes : 1,3 mm

PN : 55308BH

Mechanical dimensions



Schematic



Inductance 1-4
Blind pins 2-3
Implantation in holes : 1,3 mm