

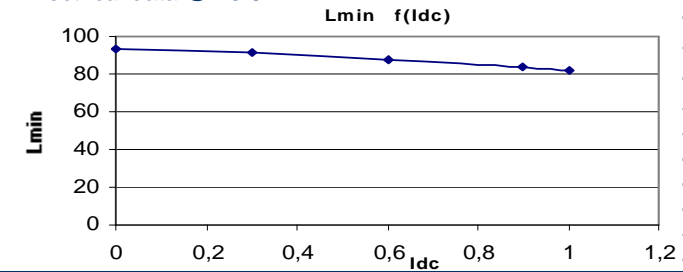
Resistance = 205mΩ max

Frequency kHz	Ripple Current	10%ΔI	20%ΔI	30%ΔI
25	Total losses mW	60	60	60
	ΔT°C	8	8	8
50	Total losses mW	60	60	60
	ΔT°C	8	8	9
75	Total losses mW	60	60	60
	ΔT°C	8	8	9
100	Total losses mW	60	60	70
	ΔT°C	8	9	9

**L f(Idc) Inductance Values**

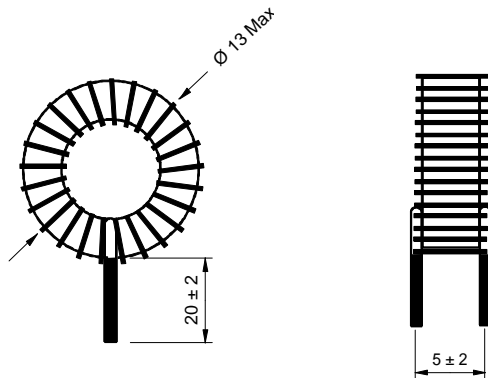
Idc (A)	Lmin (µH)
0	93
0,3	92
0,9	88
0,9	84
1	82

Electrical data @ 25°C

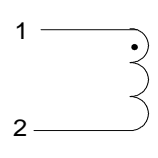


**PN : 55304SNV**

Mechanical dimensions



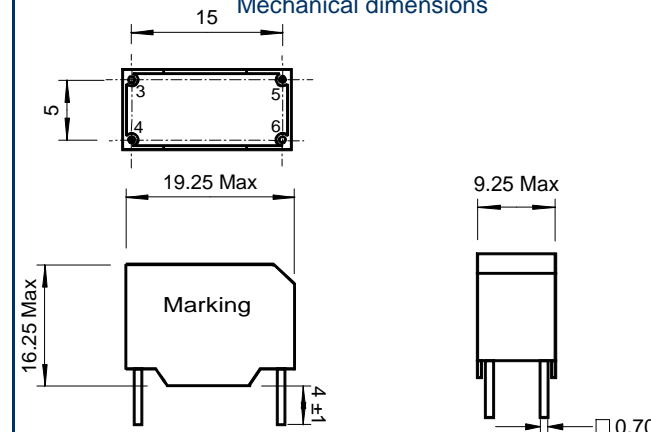
Schematic



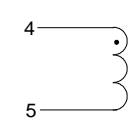
Inductance 1-2  
Implantation in holes : 0.6 mm

**PN : 55304BV**

Mechanical dimensions



Schematic



Inductance 4-5  
Blind pins 3-6  
Implantation in holes : 1,3 mm