

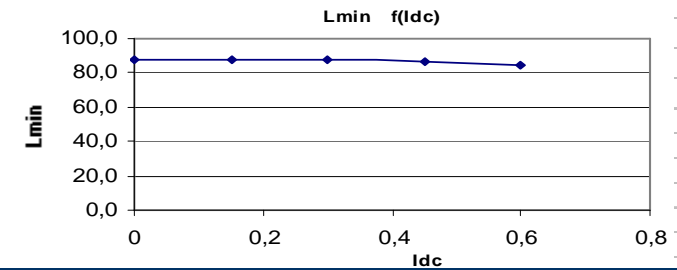
Resistance = 450mΩ max

Frequency kHz	Ripple Current	10%ΔI	20%ΔI	30%ΔI
25	Total losses mW	30	30	30
	ΔT°C	5	5	5
50	Total losses mW	30	30	30
	ΔT°C	5	5	5
75	Total losses mW	30	30	30
	ΔT°C	5	5	5
100	Total losses mW	30	30	30
	ΔT°C	5	5	5

Electrical data @ 25°C

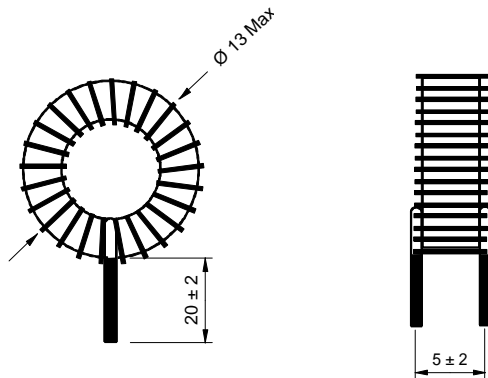
L f(Idc) Inductance Values

Idc (A)	Lmin (µH)
0	88
0,15	88
0,3	88
0,45	86,2
0,6	84,6

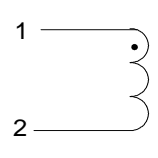


PN : 55302SNV

Mechanical dimensions



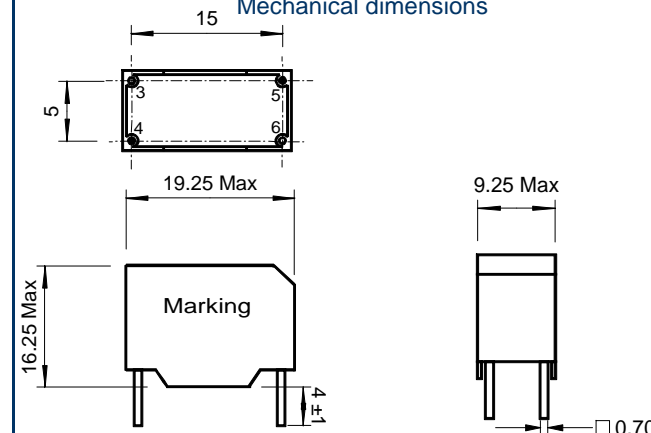
Schematic



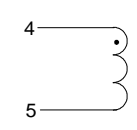
Inductance 1-2
Implantation in holes : 0.5 mm

PN : 55302BV

Mechanical dimensions



Schematic



Inductance 4-5
Blind pins 3-6
Implantation in holes : 1,3 mm