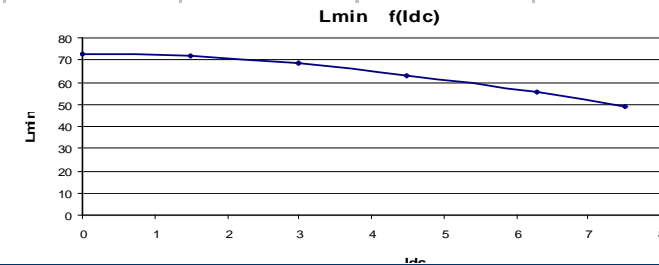


Resistance = 30mΩ max		10%ΔI	20%ΔI	30%ΔI
Frequency kHz	Ripple Current	0,63	1,26	1,89
	Total losses mW	930	940	940
25	ΔT°C	23	23	24
	Total losses mW	930	950	970
50	ΔT°C	23	24	24
	Total losses mW	940	960	1000
75	ΔT°C	23	24	25
	Total losses mW	940	970	1030
100	ΔT°C	23	24	25

Electrical data @ 25°C

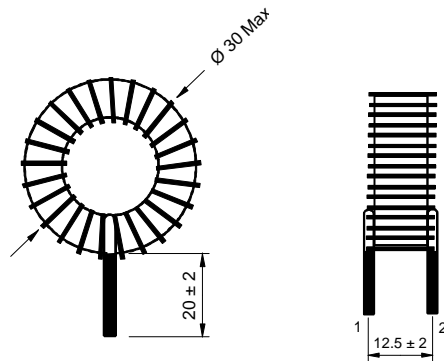
L f(Idc) Inductance Values

Idc (A)	Lmin (μH)
0	73
1,5	72
3	69
4,5	62
6,3	55
7,5	49

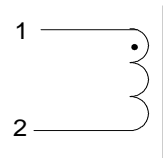


PN : 55264SNV

Mechanical dimensions



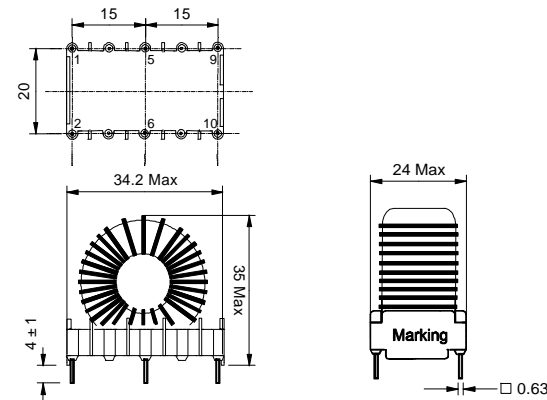
Schematic



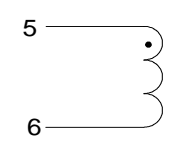
Inductance 1-2
Implantation in holes : 1,4 mm

PN : 55264EE

Mechanical dimensions



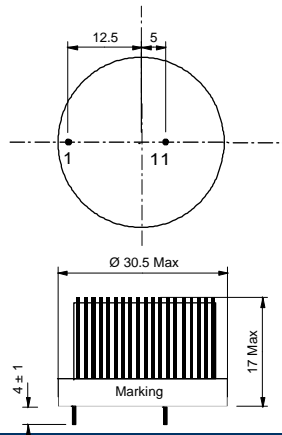
Schematic



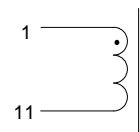
Inductance 4-5
Blind pins 1-2-9-10
5-6 Implantation in holes : 1,4 mm
1-2-9-10 Implantation in holes : 1,2 mm

PN : 55264BPC

Mechanical dimensions



Schematic



Inductance 1-11
Implantation in holes : 1,4 mm