

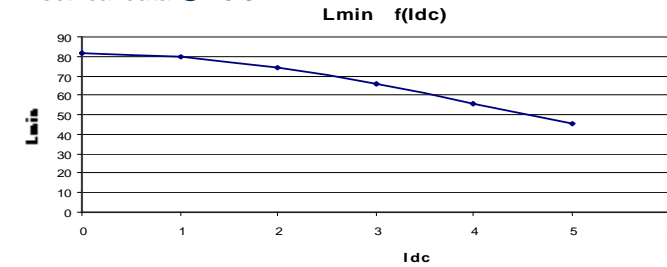
Resistance = 30mΩ max

Frequency kHz	Ripple Current	10%ΔI	20%ΔI	30%ΔI
25	Total losses mW	420	430	440
	ΔT°C	15	15	15
50	Total losses mW	420	440	470
	ΔT°C	15	15	16
75	Total losses mW	430	450	510
	ΔT°C	15	16	17
100	Total losses mW	430	470	550
	ΔT°C	15	16	18

L f(I_{dc}) Inductance Values

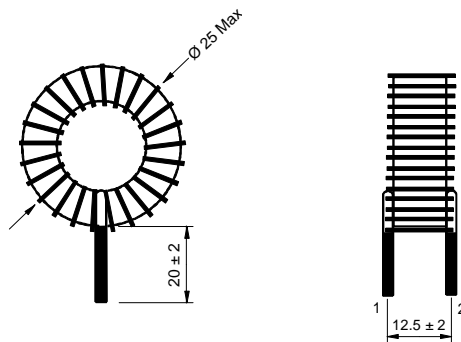
I _{dc} (A)	L _{min} (μH)
0	82
1	80
2	74
3	66
4	55
5	46

Electrical data @ 25°C

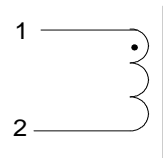


PN : 55262SNV

Mechanical dimensions



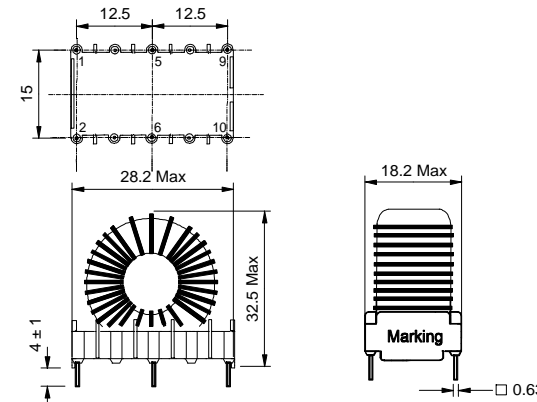
Schematic



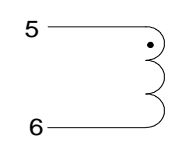
Inductance 1-2
Implantation in holes : 1.2 mm

PN : 55262EE

Mechanical dimensions



Schematic



Inductance 5-6
Blind pins 1-2-9-10
Implantation in holes : 1.2 mm

[See Version BV](#)

[See Version BH](#)