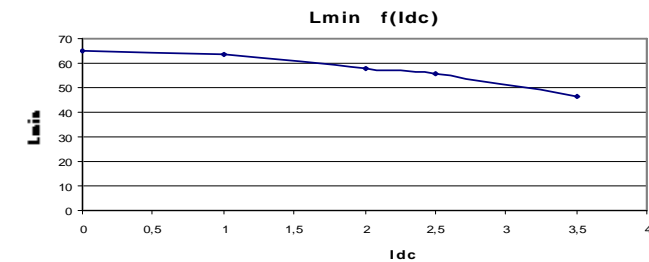


Resistance = 55 mΩ max		10%ΔI	20%ΔI	30%ΔI
Frequency kHz	Ripple Current	0,25	0,5	0,75
	Total losses mW	270	270	280
25	ΔT°C	13	13	14
	Total losses mW	270	280	290
50	ΔT°C	13	14	14
	Total losses mW	270	290	310
75	ΔT°C	13	14	15
	Total losses mW	270	290	330
100	ΔT°C	13	14	16

Electrical data @ 25°C

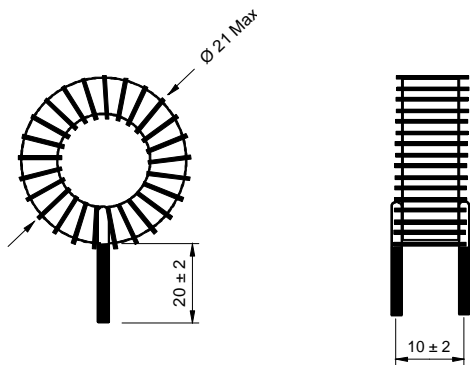
**L f(I<sub>dc</sub>) Inductance Values**

I <sub>dc</sub> (A)	L <sub>min</sub> (µH)
0	65
1	63
2	58
2,5	55
3,5	47

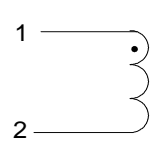


**PN : 55260SNV**

Mechanical dimensions



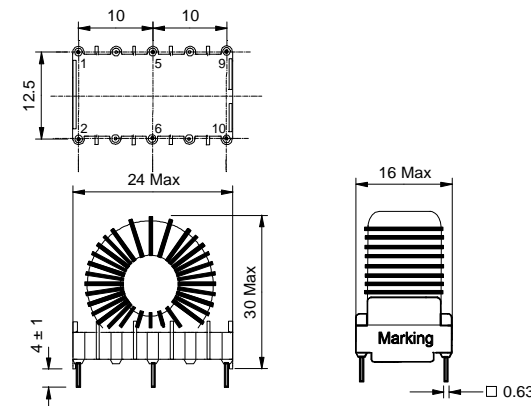
Schematic



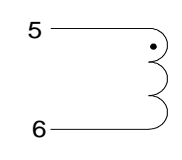
Inductance 1-2  
Implantation in holes : 0.9 mm

**PN : 55260EE**

Mechanical dimensions



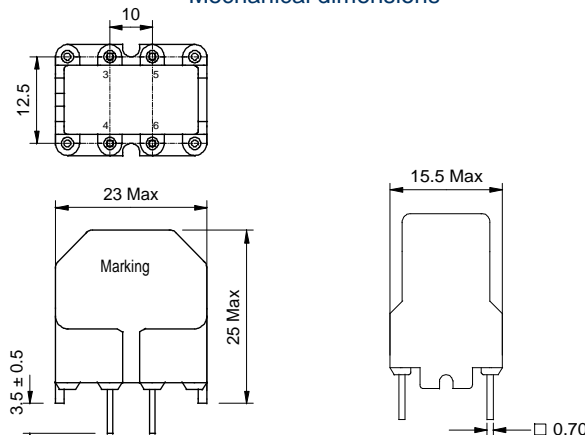
Schematic



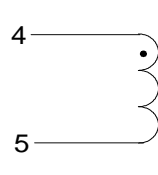
Inductance 5-6  
Blind pins 1-2-9-10  
Implantation in holes : 1,2 mm

**PN : 55260BV**

Mechanical dimensions



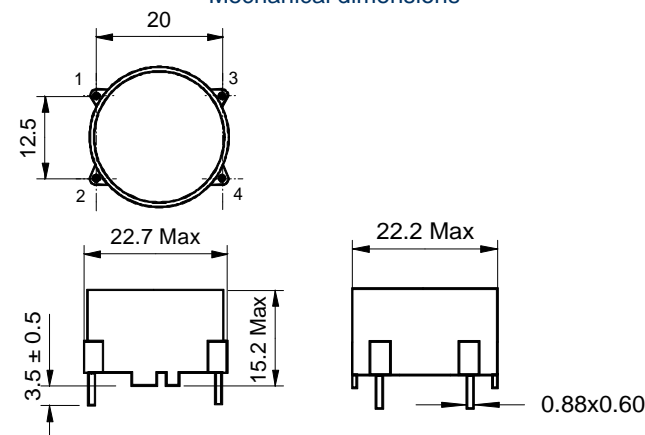
Schematic



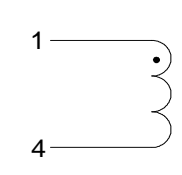
Inductance 4-5  
Blind pins 3-6  
Implantation in holes : 1,3 mm

**PN : 55260BH**

Mechanical dimensions



Schematic



Inductance 1-4  
Blind pins 2-3  
Implantation in holes : 1,3 mm