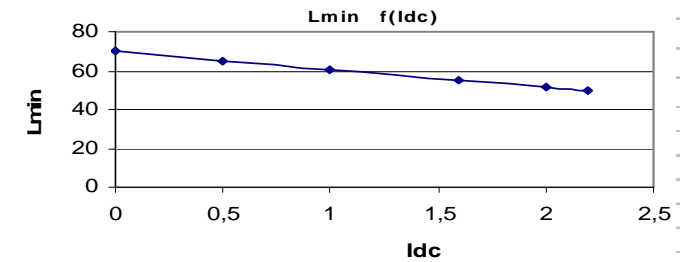


Resistance = 90mΩ max		10%ΔI	20%ΔI	30%ΔI
25	Frequency kHz			
	Ripple Current	0,16	0,32	0,48
50	Total losses mW	190	200	210
	ΔT°C	10	11	11
75	Total losses mW	200	230	290
	ΔT°C	11	12	15
100	Total losses mW	210	260	340
	ΔT°C	11	13	17

Electrical data @ 25°C

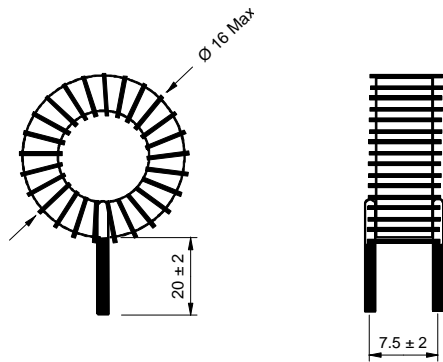
**L f(I<sub>dc</sub>) Inductance Values**

I <sub>dc</sub> (A)	L <sub>min</sub> (μH)
0	70
0,5	65
1	61
1,5	55
2	52
2,2	50

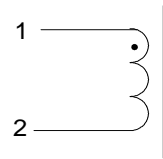


**PN : 55258SNV**

Mechanical dimensions



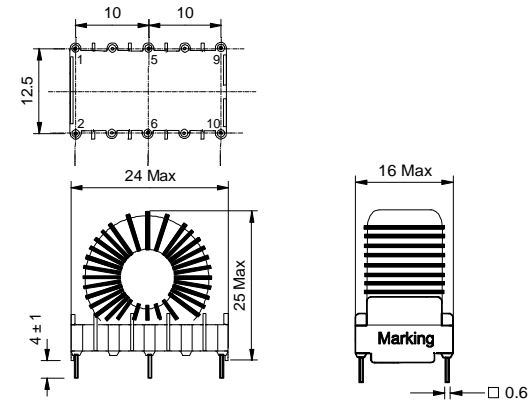
Schematic



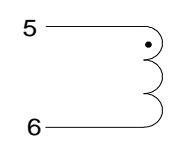
Inductance 1-2  
Implantation in holes : 0.8 mm

**PN : 55258EE**

Mechanical dimensions



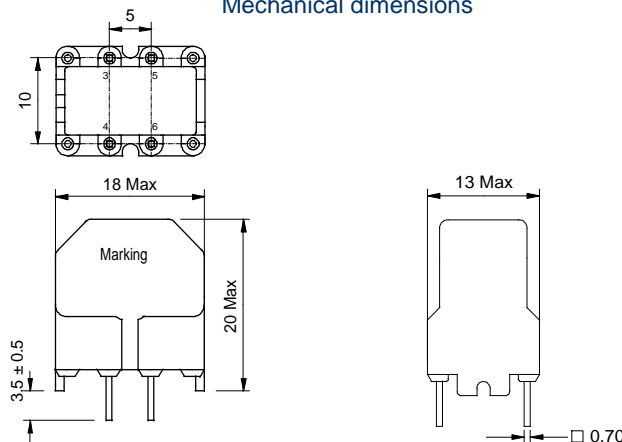
Schematic



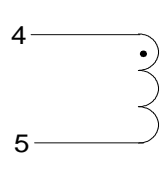
Inductance 5-6  
Blind pins 1-2-9-10  
Implantation in holes : 1,2 mm

**PN : 55258BV**

Mechanical dimensions



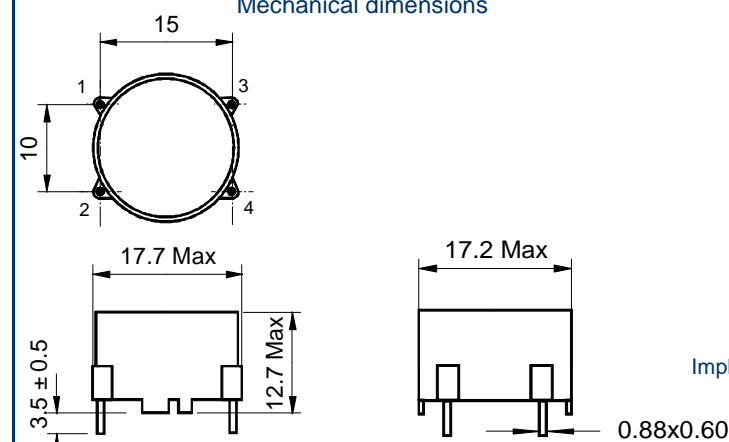
Schematic



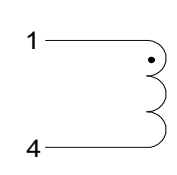
Inductance 4-5  
Blind pins 3-6  
Implantation in holes : 1,3 mm

**PN : 55258BH**

Mechanical dimensions



Schematic



Inductance 1-4  
Blind pins 2-3  
Implantation in holes : 1,3 mm