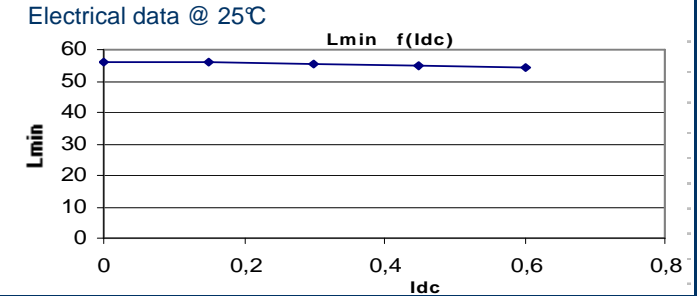


Resistance = 360mΩ max

Frequency kHz	Ripple Current	10%ΔI	20%ΔI	30%ΔI
25	Total losses mW	30	30	30
	ΔT°C	4	4	4
50	Total losses mW	30	30	30
	ΔT°C	4	4	4
75	Total losses mW	30	30	30
	ΔT°C	4	4	4
100	Total losses mW	30	30	30
	ΔT°C	4	4	4

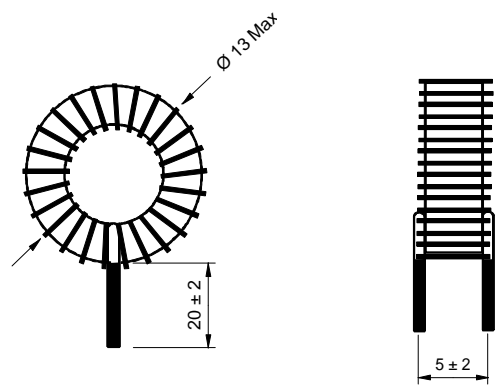
L f(Idc) Inductance Values

Idc (A)	Lmin (μH)
0	55,9
0,15	44,9
0,3	55,4
0,45	55
0,6	54,6

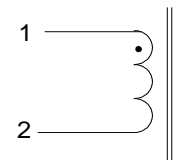


PN : 55252SNV

Mechanical dimensions



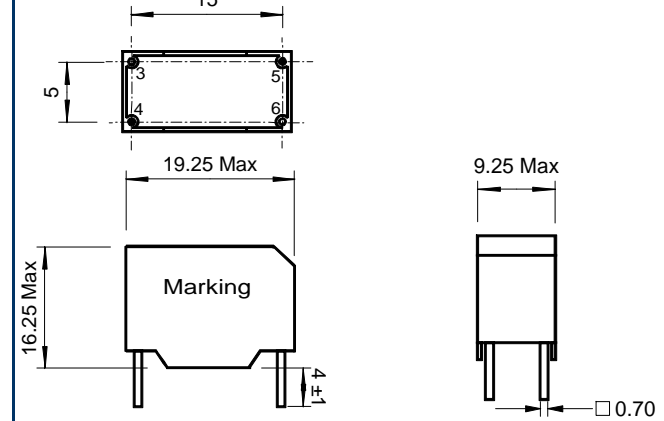
Schematic



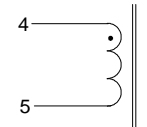
Inductance 1-2
Implantation in holes : 0.5 mm

PN : 55252BV

Mechanical dimensions



Schematic



Inductance 4-5
Blind pins 3-6
Implantation in holes : 1,3 mm