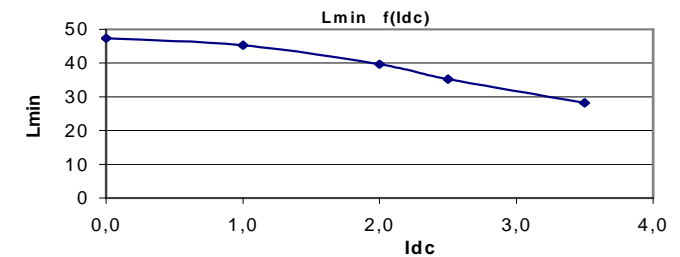


Resistance = 40mΩ max

Frequency kHz	Ripple Current	10%ΔI	20%ΔI	30%ΔI
25	Total losses mW	210	210	220
	ΔT°C	16	16	17
50	Total losses mW	210	220	220
	ΔT°C	16	17	17
75	Total losses mW	210	220	230
	ΔT°C	16	17	18
100	Total losses mW	210	220	240
	ΔT°C	16	17	18

Electrical data @ 25°C

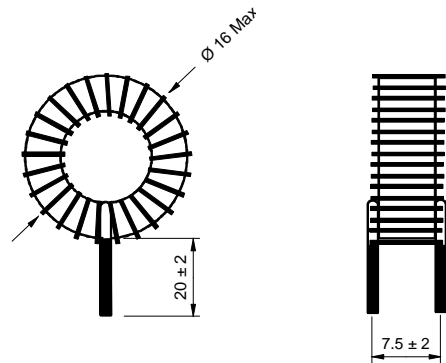


L f(Idc) Inductance Values

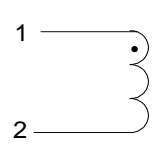
Idc (A)	Lmin (μH)
0	47
1	45
2	40
2,5	35
3,5	28

PN : 55210SNV

Mechanical dimensions



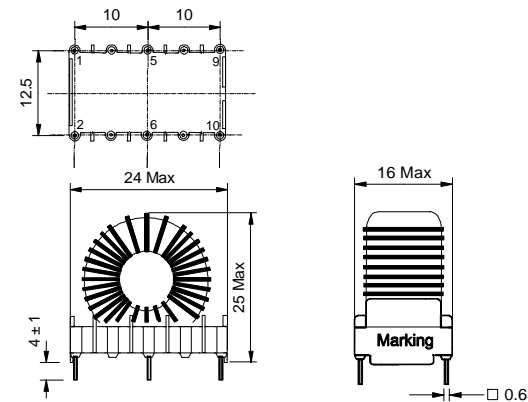
Schematic



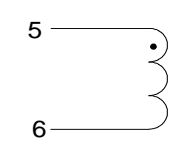
Inductance 1-2
Implantation in holes : 0.9 mm

PN : 55210EE

Mechanical dimensions



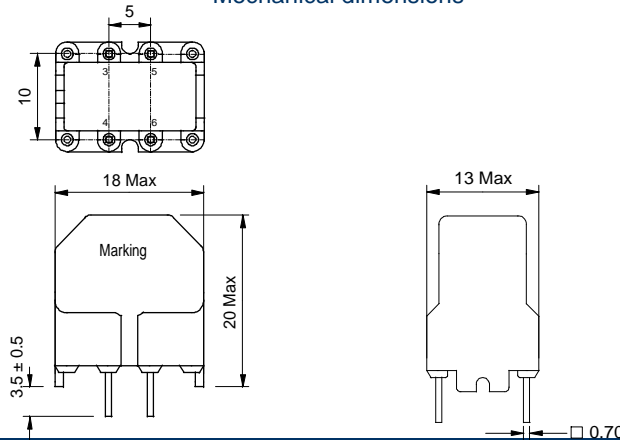
Schematic



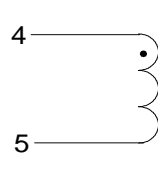
Inductance 5-6
Blind pins 1-2-9-10
Implantation in holes : 1,2 mm

PN : 55210BV

Mechanical dimensions



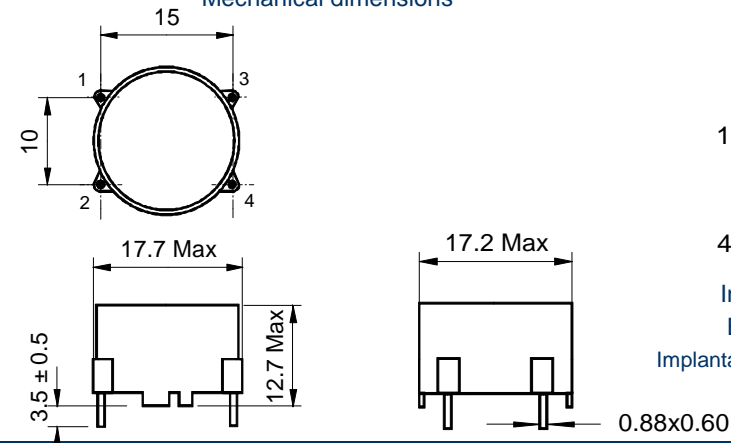
Schematic



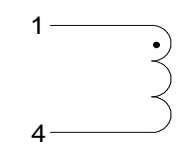
Inductance 4-5
Blind pins 3-6
Implantation in holes : 1,3 mm

PN : 55210BH

Mechanical dimensions



Schematic



Inductance 1-4
Blind pins 2-3
Implantation in holes : 1,3 mm