

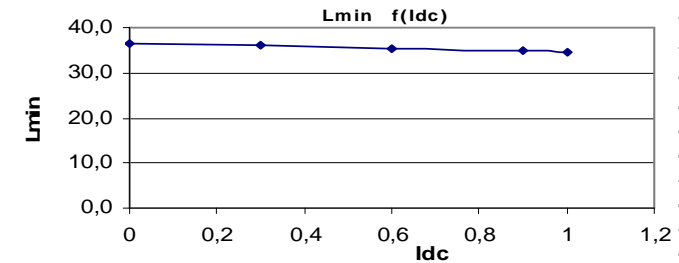
Resistance = 130mΩ max

Frequency kHz	Ripple Current	10%ΔI	20%ΔI	30%ΔI
25	Total losses mW	40	40	40
	ΔT°C	6	6	6
50	Total losses mW	40	40	40
	ΔT°C	6	6	6
75	Total losses mW	40	40	40
	ΔT°C	6	6	6
100	Total losses mW	40	40	40
	ΔT°C	6	6	6

L f(Idc) Inductance Values

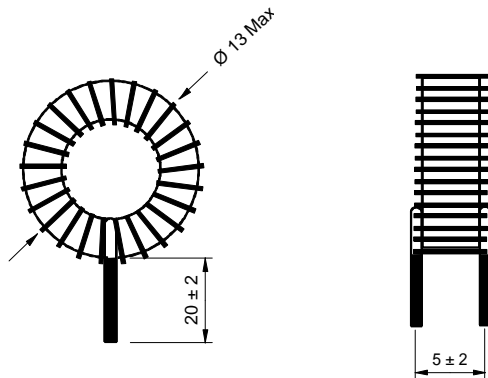
Idc (A)	Lmin (µH)
0	36,3
0,3	36,2
0,6	35,2
0,9	34,8
1	34,5

Electrical data @ 25°C

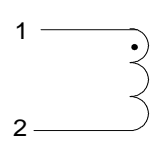


PN : 55204SNV

Mechanical dimensions



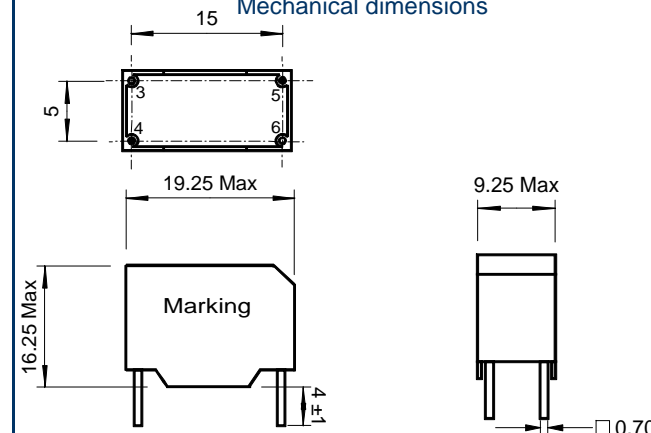
Schematic



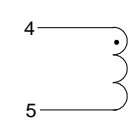
Inductance 1-2
Implantation in holes : 0.6 mm

PN : 55204BV

Mechanical dimensions



Schematic



Inductance 4-5
Blind pins 3-6
Implantation in holes : 1,3 mm