

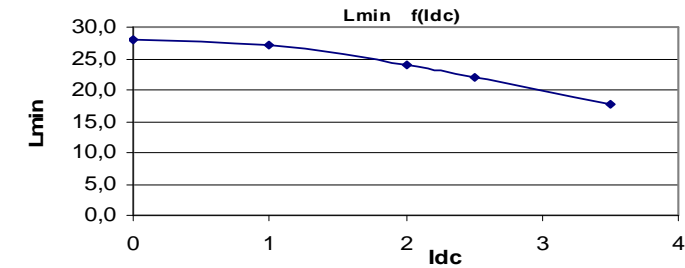
Resistance = 25mΩ max

Frequency kHz	Ripple Current	10%ΔI	20%ΔI	30%ΔI
25	Total losses mW	130	130	130
	ΔT°C	16	16	16
50	Total losses mW	130	130	140
	ΔT°C	16	16	17
75	Total losses mW	130	140	150
	ΔT°C	16	16	17
100	Total losses mW	130	140	150
	ΔT°C	16	17	18

**L f(Idc) Inductance Values**

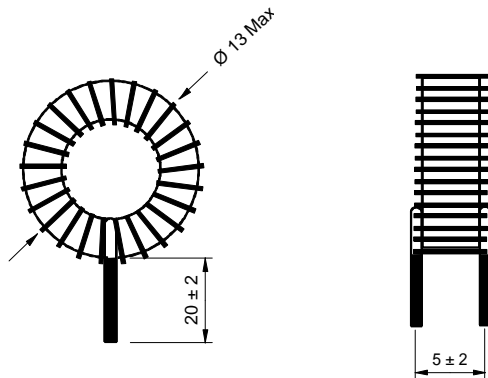
Idc (A)	Lmin (μH)
0	28,1
1	27
2	24
2,5	22
3,5	17,8

Electrical data @ 25°C

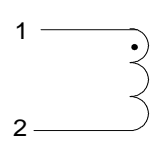


**PN : 55160SNV**

Mechanical dimensions



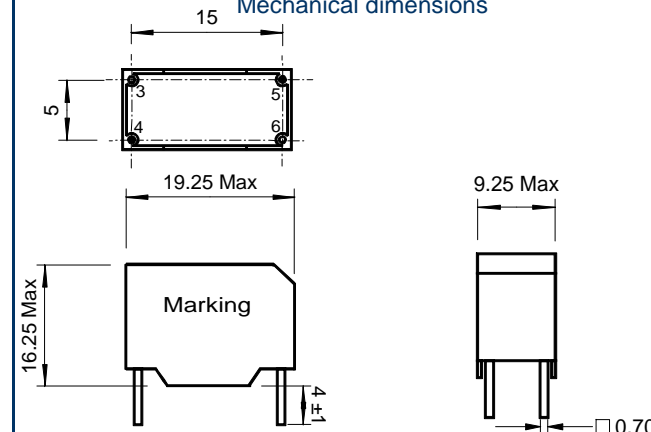
Schematic



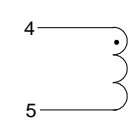
Inductance 1-2  
Implantation in holes : 0.9 mm

**PN : 55160BV**

Mechanical dimensions



Schematic



Inductance 4-5  
Blind pins 3-6  
Implantation in holes : 1,3 mm