

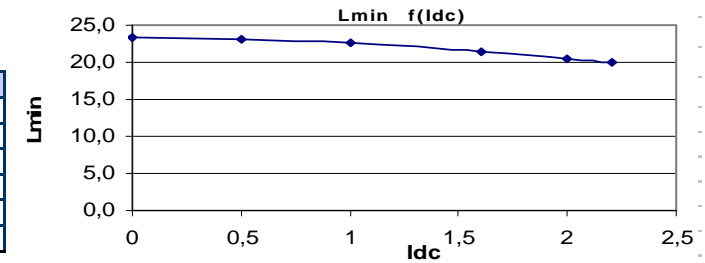
Resistance = 40m Ω max

Frequency kHz	Ripple Current	10% Δ I	20% Δ I	30% Δ I
25	Total losses mW	80	80	80
	$\Delta T^{\circ}C$	10	10	10
50	Total losses mW	80	80	80
	$\Delta T^{\circ}C$	10	10	11
75	Total losses mW	80	80	90
	$\Delta T^{\circ}C$	10	10	11
100	Total losses mW	80	80	90
	$\Delta T^{\circ}C$	10	11	11

L f(Idc) Inductance Values

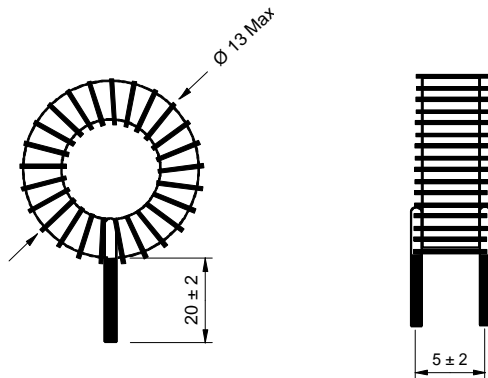
Idc (A)	Lmin (μ H)
0	23,2
0,5	23,1
1	22,5
1,6	21,4
2	20,4
2,2	19,9

Electrical data @ 25 $^{\circ}C$

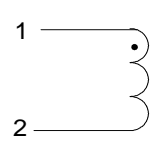


PN : 55158SNV

Mechanical dimensions



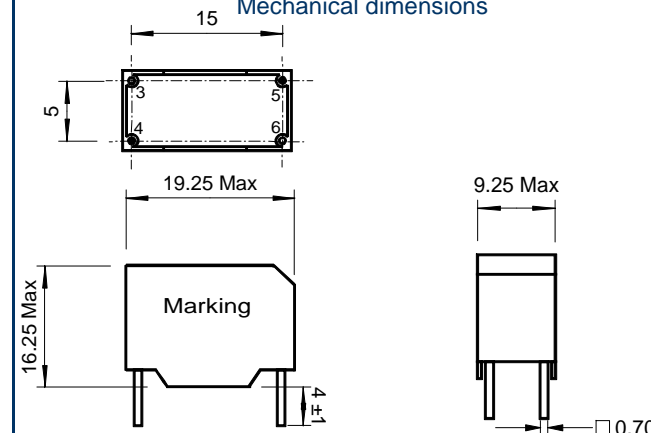
Schematic



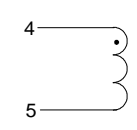
Inductance 1-2
Implantation in holes : 0.8 mm

PN : 55158BV

Mechanical dimensions



Schematic



Inductance 4-5
Blind pins 3-6
Implantation in holes : 1,3 mm