

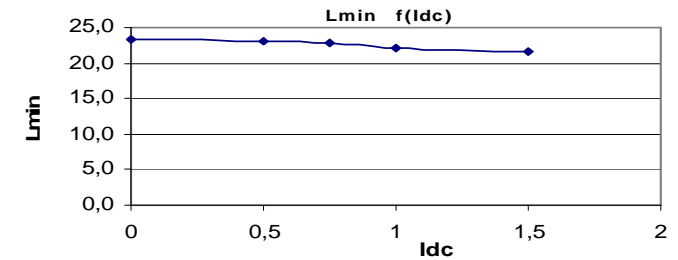
Resistance = 60mΩ max

Frequency kHz	Ripple Current	10%ΔI	20%ΔI	30%ΔI
25	Total losses mW	50	50	50
	ΔT°C	7	7	7
50	Total losses mW	50	50	50
	ΔT°C	7	7	7
75	Total losses mW	50	50	50
	ΔT°C	7	7	7
100	Total losses mW	50	50	50
	ΔT°C	7	7	7

**L f(Idc) Inductance Values**

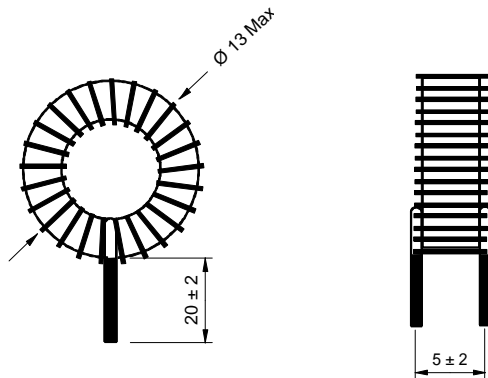
Idc (A)	Lmin (µH)
0	23,2
0,5	23,1
0,75	22,8
1	22
1,5	21,6

Electrical data @ 25°C

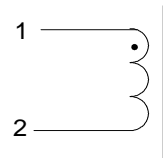


**PN : 55156SNV**

Mechanical dimensions



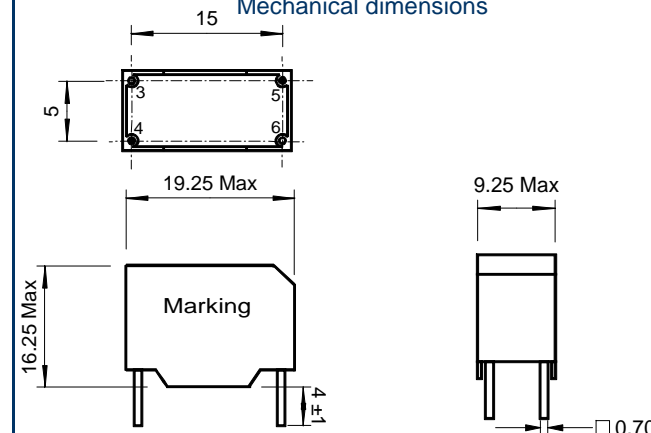
Schematic



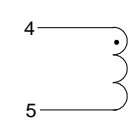
Inductance 1-2  
Implantation in holes : 0.7 mm

**PN : 55156BV**

Mechanical dimensions



Schematic



Inductance 4-5  
Blind pins 3-6  
Implantation in holes : 1,3 mm