

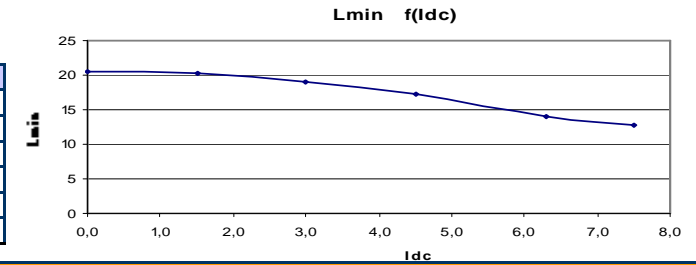
Resistance = 10 m Ω max

Frequency kHz	Ripple Current	10% Δ I	20% Δ I	30% Δ I
25	Total losses mW	310	320	320
	Δ T $^{\circ}$ C	15	15	15
50	Total losses mW	310	320	340
	Δ T $^{\circ}$ C	15	15	16
75	Total losses mW	310	330	370
	Δ T $^{\circ}$ C	15	16	17
100	Total losses mW	320	340	390
	Δ T $^{\circ}$ C	15	16	18

Electrical data @ 25 $^{\circ}$ C

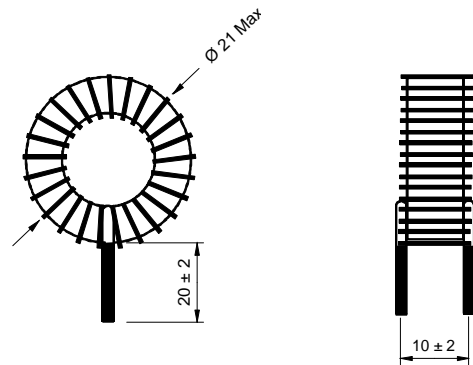
L f(I_{dc}) Inductance Values

I _{dc} (A)	L _{min} (μ H)
0	21
1,5	20
3	19
4,5	17
6,3	14
7,5	13

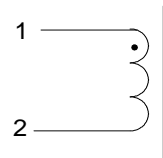


PN : 55114SNV

Mechanical dimensions



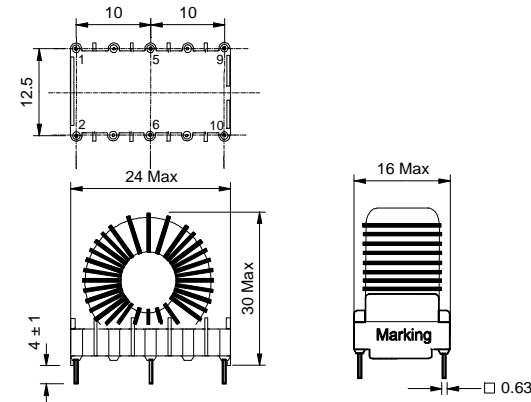
Schematic



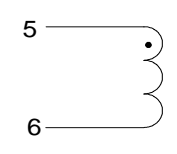
Inductance 1-2
Implantation in holes : 1.4 mm

PN : 55114EE

Mechanical dimensions



Schematic



Inductance 5-6
Blind pins 1-2-9-10
Implantation in holes : 1,2 mm

[See Version BV](#)

[See Version BH](#)