

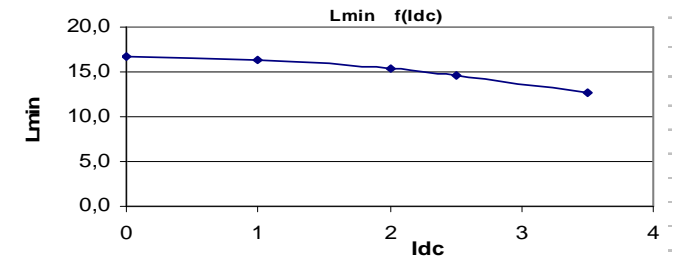
Resistance = 20mΩ max

Frequency kHz	Ripple Current	10%ΔI	20%ΔI	30%ΔI
25	Total losses mW	100	100	100
	ΔT°C	13	13	13
50	Total losses mW	100	100	110
	ΔT°C	13	13	13
75	Total losses mW	100	100	110
	ΔT°C	13	13	14
100	Total losses mW	100	110	110
	ΔT°C	13	13	14

**L f(Idc) Inductance Values**

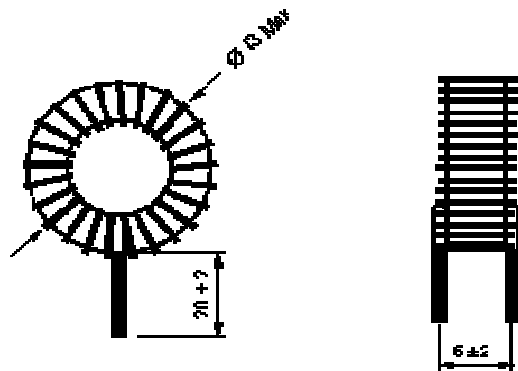
Idc (A)	Lmin (μH)
0	16,8
1	16,4
2	15,3
2,5	14,5
3,5	12,7

Electrical data @ 25°C

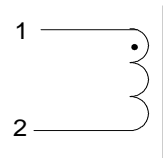


**PN : 55110SNV**

Mechanical dimensions



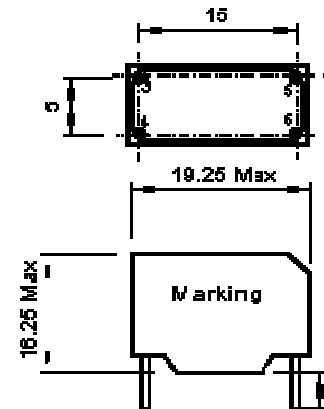
Schematic



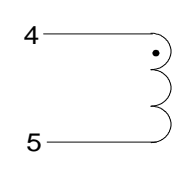
Inductance 1-2  
Implantation in holes : 0.9 mm

**PN : 55110BV**

Mechanical dimensions



Schematic



Inductance 4-5  
Blind pins 3-6  
Implantation in holes : 1,3 mm