

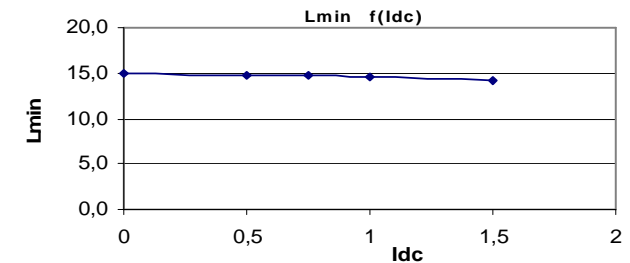
Resistance = 45m $\Omega$  max

Frequency kHz	Ripple Current	10% $\Delta$ I	20% $\Delta$ I	30% $\Delta$ I
25	Total losses mW	40	40	40
	$\Delta T^{\circ}C$	6	6	6
50	Total losses mW	40	40	40
	$\Delta T^{\circ}C$	6	6	6
75	Total losses mW	40	40	40
	$\Delta T^{\circ}C$	6	6	6
100	Total losses mW	40	40	40
	$\Delta T^{\circ}C$	6	6	6

**L f(Idc) Inductance Values**

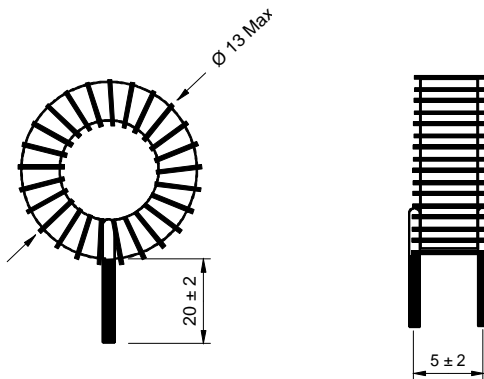
Idc (A)	Lmin ( $\mu$ H)
0	14,9
0,5	14,8
0,75	14,7
1	14,6
1,5	14,2

Electrical data @ 25 $^{\circ}C$

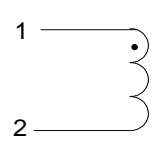


**PN : 55106SNV**

Mechanical dimensions



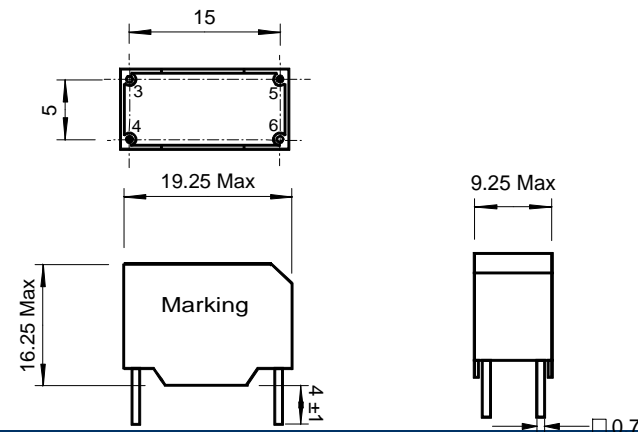
Schematic



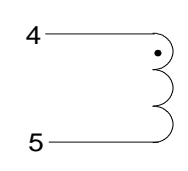
Inductance 1-2  
Implantation in holes : 0.7 mm

**PN : 55106BV**

Mechanical dimensions



Schematic



Inductance 4-5  
Blind pins 3-6  
Implantation in holes : 1,3 mm