

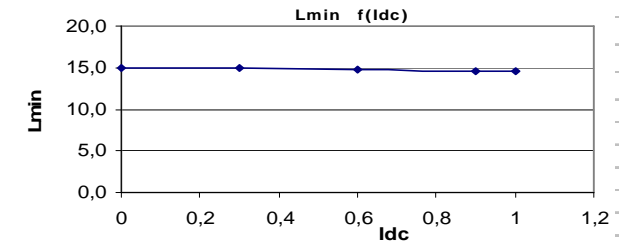
Resistance = 85mΩ max

| Frequency kHz | Ripple Current | 10%ΔI | 20%ΔI | 30%ΔI |
|---------------|-----------------|-------|-------|-------|
| 25 | Total losses mW | 20 | 20 | 20 |
| | ΔT°C | 4 | 4 | 4 |
| 50 | Total losses mW | 20 | 20 | 20 |
| | ΔT°C | 4 | 4 | 4 |
| 75 | Total losses mW | 20 | 20 | 20 |
| | ΔT°C | 4 | 4 | 4 |
| 100 | Total losses mW | 20 | 20 | 20 |
| | ΔT°C | 4 | 4 | 4 |

Electrical data @ 25°C

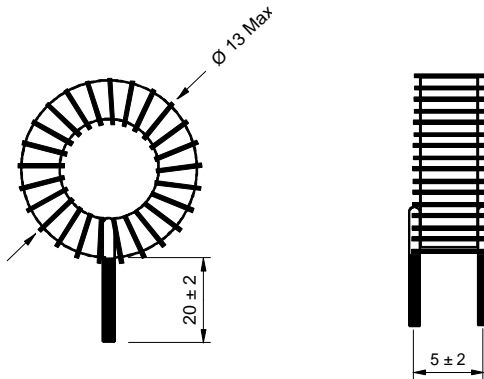
L f(I_{dc}) Inductance Values

| I _{dc} (A) | L _{min} (μH) |
|---------------------|-----------------------|
| 0 | 14,9 |
| 0,3 | 14,9 |
| 0,6 | 14,8 |
| 0,9 | 14,6 |
| 1 | 14,6 |

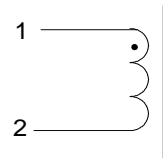


PN : 55104SNV

Mechanical dimensions



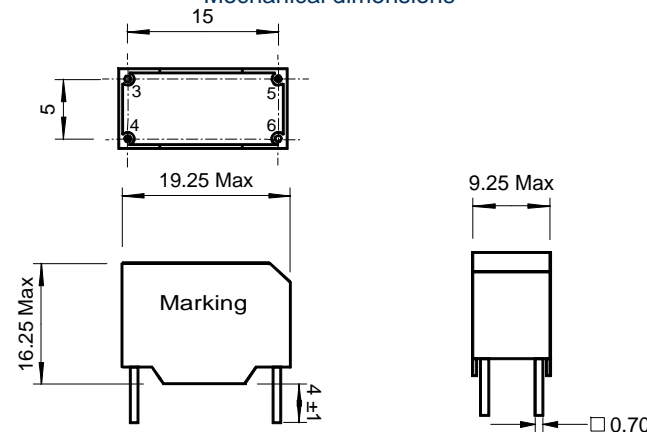
Schematic



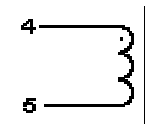
Inductance 1-2
Implantation in holes : 0.6 mm

PN : 55104BV

Mechanical dimensions



Schematic



Inductance 4-5
Blind pins 3-6
Implantation in holes : 1,3 mm